



Solid State Power Amplifier, 1.0-2.5GHz,  
57dB Gain, Connectors N Input / 7/16 Output  
500 Watts Output Power @P1dB



Monitor and Control Unit

**Features-**

- ▶ 3 year Warranty.
- ▶ Saved data can be viewed by LCD.
- ▶ Easy to read bright colored display.
- ▶ The GPIB/ RS232 Interface allows On/Off, and Band Switching by command input through the computer.
- ▶ Available for Pulse Operation (Pulse Width: 50nS/ Rise & Fall Time; 30nS).
- ▶ Monitored data can be saved for over 10 years on a SD card: Data including voltages, temperatures, each device current, forward and reverse power, alarms etc.

**Order Examples: RAMP-1.0-2.5-57d-Nf-7/16f-500W-P1-k5**

**Description: (Amplifier, 1.0-2.5GHz, Gain 57dB, Connectors N Input / 7/16 Output, 500 Watts Output Power @P1dB)**

Specifications			Units
Frequency Range		1.0-2.5	GHz
Input/Output Impedance		50	$\Omega$ (nominal)
Output Power (@P1dB)		500	Watts (min)
In-band Gain		+57.0	dB (min)
In-band Gain Deviation		$\pm 1.5$	dB (max)
Maximum Input Level		+3	dBm (max.)
Operation Mode		Class-A	
Input Level		0	dBm @standard input
Harmonics	@Po=500W	-20	dBc (max)
Spurious	@Po=500W	-70	dBc (max)
Input VSWR		2.0:1	(max)
Output VSWR		2.0:1	(max)
2 tone 3 <sup>rd</sup> Order ICP		+67.0	dBm (typ.)
Noise Figure		10	dB (typ.)
Connectors:	RF Input	N Female	
	RF Output	7/16" Flange	

**Solid State Power Amplifier, 1.0-2.5GHZ,  
57dB Gain, Connectors N Input / 7/16 Output  
500 Watts Output Power @P1dB**

Specifications		Units
Power Supply Voltage	AC220V±15%	50/60Hz Single Phase
Consumption Current	30	A (max.)
Operation Temperature	0 to +35	°C
Storage Temperature	-15 to +65	°C
Humidity@+25°C (non Condensing)	15 to 85	%
Cooling Method	Forced Air Cooling	
Weight	270	kg (max)
Dimensions	560(W) x 1337(H) x 853(D)	mm
Protection Circuit	Fwd Over Power Protection, Temperature Protection Circuit, Voltage Abnormality Protection Circuit, Ref Over Power Protection Circuit	

**Protection Circuit**

**(1) Temperature Protection Circuit/Alarm:**

If an out of spec. temperature (caused by cooling fan failure or too much increase of operating ambient temperature) is detected inside the Power Amplifier Unit, the amplifier Power Supply is automatically turned off. The shutdown will be shown on front panel LCD.

**(2) Power Supply Protection Circuit/Alarm:**

If the power supply voltage into Power Amplifier Unit runs off the rated value, the Power Supply Switch is automatically turned off. The shutdown will be shown on front panel LCD.

**(3) Over Output Power Protection Alarm/Circuit:**

If Forward Power exceeds 550W of the rated output, RF Switch is automatically turned off. The shutdown will be shown on front panel LCD

**(4) Output VSWR Power Protection Alarm/Circuit:**

If the Reflected output Power exceeds 300W at the output port, the Power Supply is automatically turned off. The shutdown will be shown on front panel. LCD

**EM INPUT (optional)**

TTL Lever (@Normal Status=Lo)

Power Supply Switch turns off and LCD on the front panel lights up at TTL=HI or OPEN

**Control Method**

Manual Control by Front Panel on Control Unit or by External Control Connector.

\*Switching of Remote/Local is available by illuminated push-button switch on the front panel.

External Control

- (1) ON / OFF Control of RF SW
- (2) Alarm Reset
- (3) ON / OFF Information on RF SW
- (4) Information on FWD Alarm
- (5) Information on REF Alarm
- (6) Information on TEMP Alarm
- (7) Information on PS Alarm
- (8) Information on EM

---

## Solid State Power Amplifier, 1.0-2.5GHZ, 57dB Gain, Connectors N Input / 7/16 Output 500 Watts Output Power @P1dB

---

### Alarm

- (1) Temperature Alarm (TEMP. ALM)
- (2) Power Supply Alarm (P.S. ALM)
- (3) Over Output Power Alarm (FWD ALM)
- (4) Over Reflection Power Alarm (REF ALM)
- (5) Emergency (EM)

**Warranty Period** 3 Years after Delivery

### Note

System Rack is included.  
Output Circulator is NOT built-in.

### Alarm Criteria

If Output Amplifier Circuit System fails, Self-Diagnosis Function activates and outputs the status as follows:

- (1) Display Output to Alarm Circuit on the front panel
- (2) All data recorded in "Past Operation Record and (1)above are available for output from a SD card installed in an internal control board.

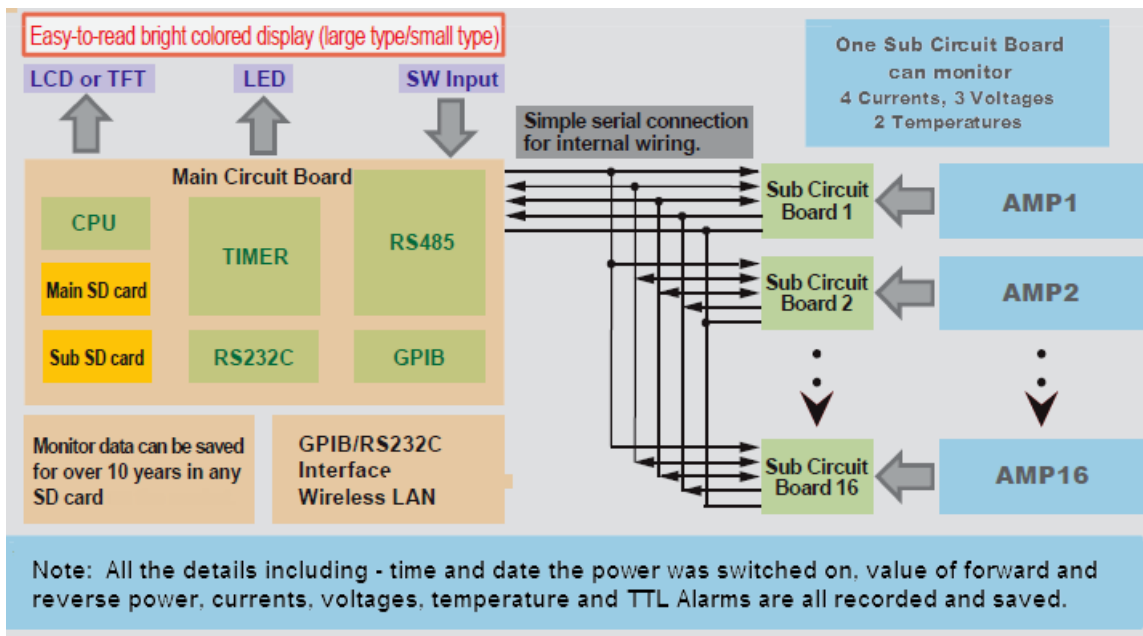
Reading record is available only by opening the cover of Power Amplifier Unit.

### Product Components

RF Power Amplifier (Rack) 1 unit

AC Power Supply Cable 1 piece

Attached Documents Operational Manual/Test Report 1 copy ea



Solid State Power Amplifier, 1.0-2.5GHZ,  
57dB Gain, Connectors N Input / 7/16 Output  
500 Watts Output Power @P1dB

