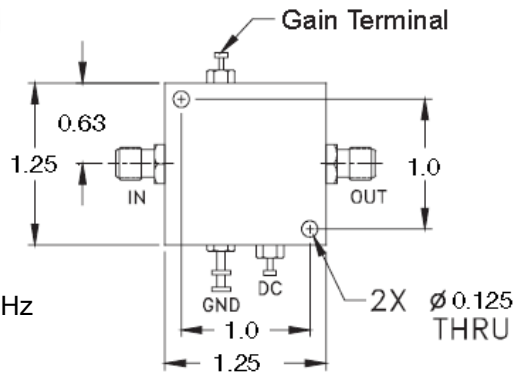


Low Power Amplifier, Broadband, 10-1000MHz, 17dB Gain SMA Female Connectors, 15 Volts

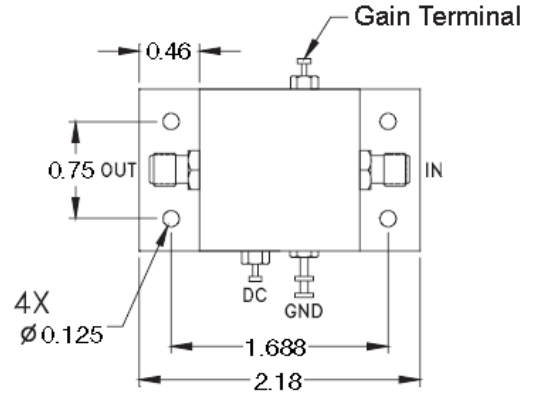


STANDARD



OPTION "B"

INVERTED ORIENTATION. SEE CATALOG FOR APPLICABLE MODELS



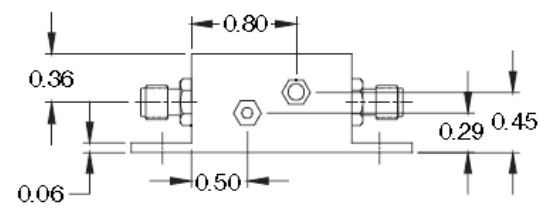
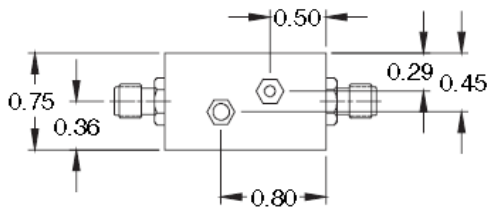
Features:

- wideband, 10 to 1000 MHz
- linear response
- rugged, shielded case

Applications:

- AGC applications
- VHF/UHF
- cellular

**Units: Inch
Not to scale**



Specifications		Units	
Frequency	10-1000	MHz	
Gain	17	dB min	
Flatness	±1.5	dB max	
Control Range	30*	dB	
Maximum Power			
Output (1 dB Compr.)	+3	dBm	
Input (no damage)	+10	dBm	
Dynamic Range			
NF	12	dB typ.	
IP3	+13	dBm typ	
VSWR			
In / Out	2.0:1	Typ	
DC Power			
Volt	15	(V) nom	
Current	100	(mA) max	
Maximum Ratings			
Operating Temperature	-20 to 71	°C	
Storage Temperature	-55 to 100	°C	
DC Voltage	+17	Volts max	

All specifications at 0 Volts control voltage
 * Response time (10% to 90%) 25µsec., control voltage 0 to 5 volts
 Open load is not recommended, potentially can cause damage.
 With no load derate max input power by 20 dB

Low Power Amplifier, Broadband, 10-1000MHz, 17dB Gain SMA Female Connectors, 15 Volts

FREQUENCY (MHz)	GAIN (dB)			DIRECTIVITY (dB)			VSWR(:1)		NOISE FIGURE (dB)	POUT at 1 dB COMPR.(dBm)
	12V	15V	16V	12V	15V	16V	IN	OUT		
10.00	24.14		28.03	37.30	32.10	33.40	1.26	1.27	9.36	10.50
17.20	24.20	27.68	28.06	35.70	32.80	28.70	1.21	1.23	9.26	10.81
38.80	24.05	27.44	27.82	28.80	25.20	23.60	1.27	1.18	9.09	10.89
87.60	23.89	27.22	27.58	26.90	21.60	20.80	1.33	1.09	9.14	10.91
197.60	23.89	27.17	27.55	20.00	16.70	17.40	1.52	1.37	9.14	10.82
365.40	24.04	27.75	28.16	25.60	21.40	20.50	1.09	1.51	9.38	10.70
441.50	23.72	27.35	27.76	26.90	23.20	24.20	1.16	1.42	9.45	10.69
517.70	23.27	26.75	27.14	37.60	35.90	34.00	1.30	1.23	9.49	10.67
568.50	23.18	26.71	27.11	47.90	39.70	33.00	1.30	1.30	9.53	10.51
619.20	23.09	26.65	27.05	37.70	29.30	32.90	1.30	1.27	9.58	10.38
695.40	22.91	26.46	26.88	51.00	41.80	35.00	1.33	1.31	9.68	10.16
771.50	22.75	26.35	26.76	31.10	40.90	32.30	1.35	1.29	9.79	9.88
847.70	22.59	26.20	26.62	52.00	32.50	36.60	1.39	1.29	9.90	9.55
923.80	22.46	26.12	26.55	37.70	33.10	31.90	1.41	1.31	9.99	9.14
1000.00	22.16	25.92	26.36	47.00	32.70	30.60	1.45	1.36	10.01	8.73

Typical Performance Curves

