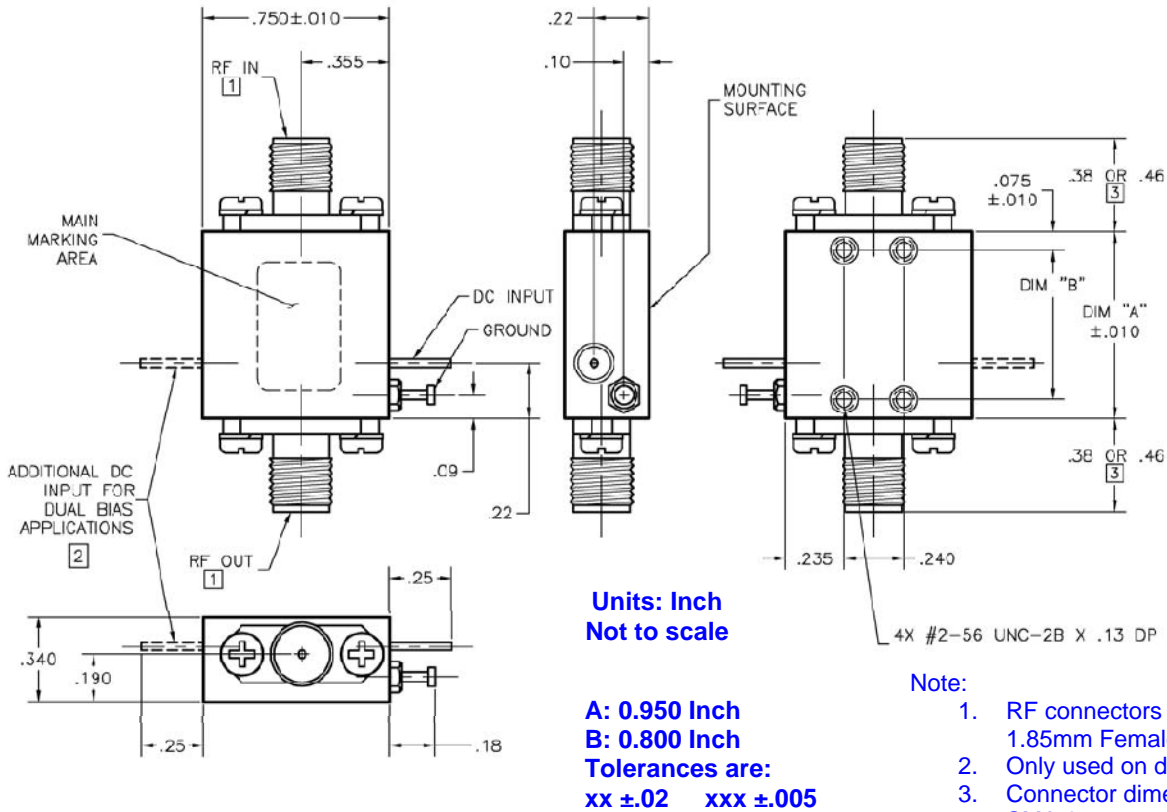


## Amplifiers, 10.70-12.75GHz, 30dB Gain SMA Female Connectors, 8Volts



**Order Examples: RAMP-10.70-12.75-30dB-Sf-8V-d11**

**Description: (Amplifier, 10.70-12.75GHz, 30dB Gain, SMA Female Connectors, +8V±5%@ 100 mA typical)**

Specifications		Units
Frequency	<b>10.70-12.75</b>	GHz
Gain	30	dB min
Gain Flatness	±0.75	dB typ
Noise Figure	2.0 @ 25°C	dB max
P-1dB	+12	dBm min
Reverse isolation	60	dB typ
Spurious	-60 @ -40dBm	dBc typ
I/O Return loss	-10.8	dB max
Supply Voltage	+8 ±5%	VDC
Supply Current	100	mA typ
Operating Temp.	+25	°C
I/O Connector	SMA Female	
Weight	6	Ounces max