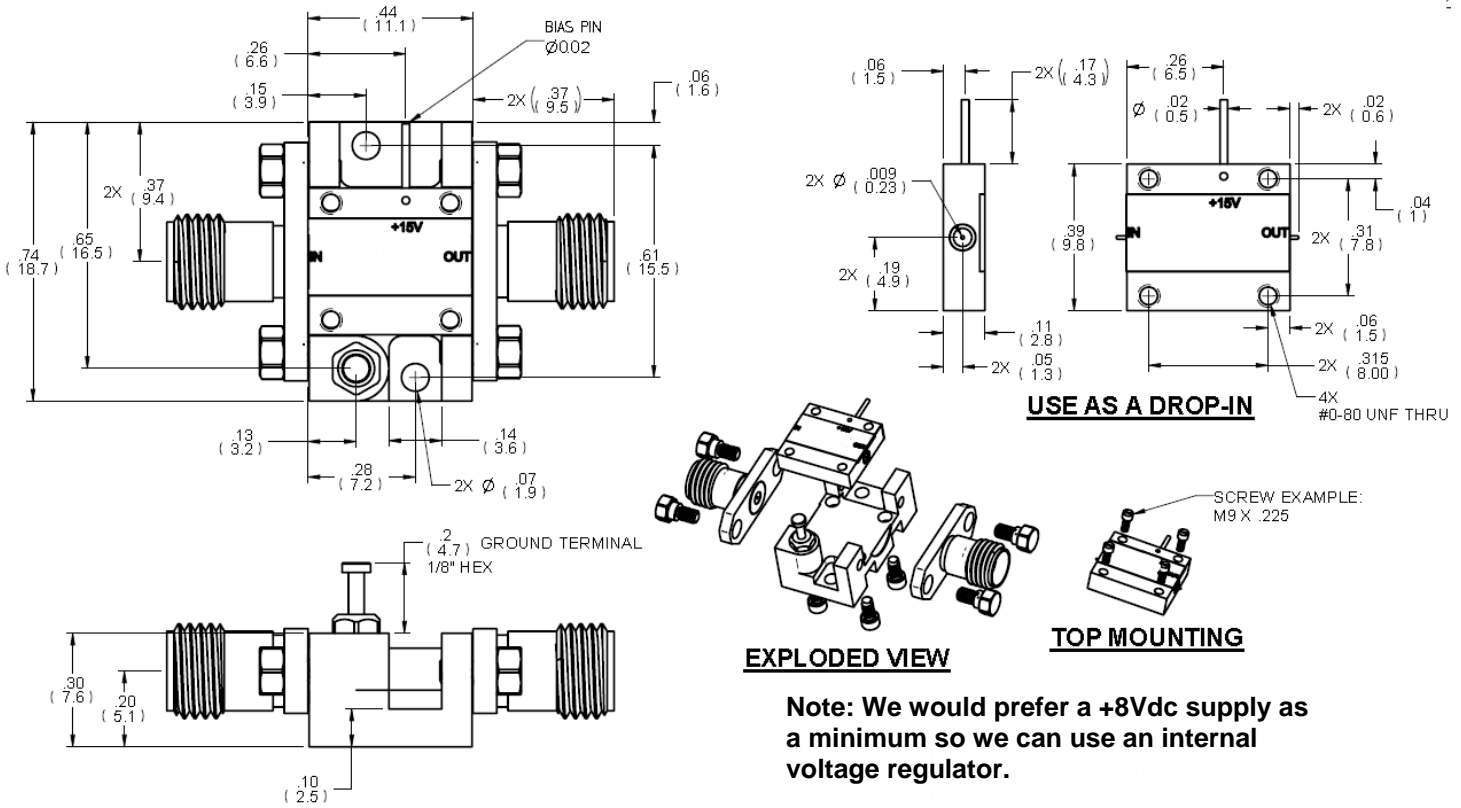


Low Power Amplifiers, 2-6GHz, 30-39dB Gain SMA Female Connectors, 15Volts



Order Examples: RAMP-2-6-39d-Sf-15V-z10

Description: (Amplifier, 2-6GHz, 30-39 dBm Gain, In / Out Connectors SMA Female, 15 Volts DC Power)

Specifications:

Frequency GHz	Noise Figure dB (max)	Pout 1dB (dBm, min)	Gain dB (min)	Gain Var. (± dB Max)	VSWR In/Out	Connector
2-6	2.5	13	39	0.8	2:1	SMA female
2-6	2.0	13	39	0.8	2:1	SMA female
2-6	1.5	13	39	0.8	2:1	SMA female
2-6	1.0	13	39	0.8	2:1	SMA female
2-6	2.5	12	33	1.2	2:1	SMA female
2-6	2.3	12	30	1.0	2:1	SMA female

***Specifications are guaranteed at +23°C**