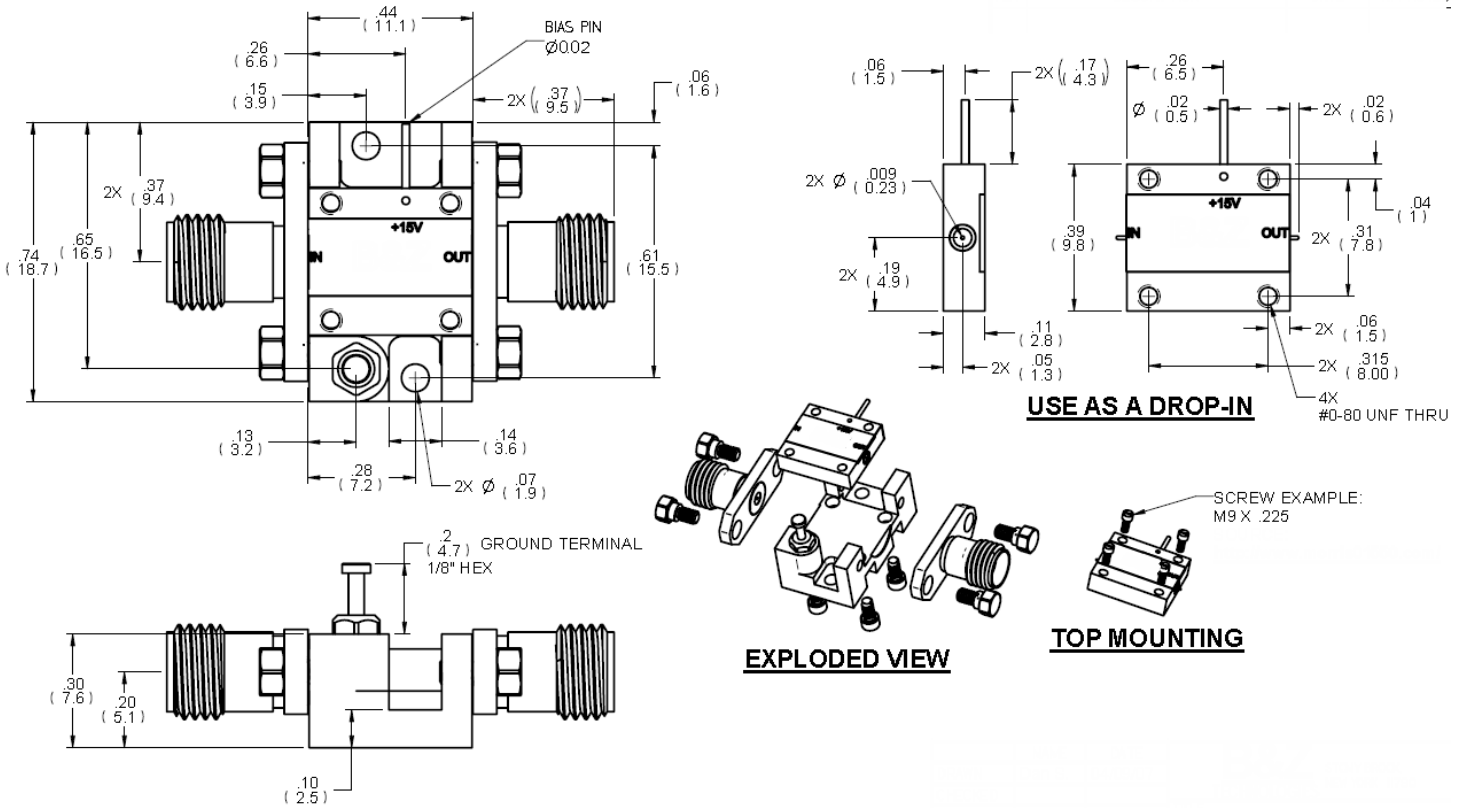


Low Power Amplifiers, 2.0-8.55GHz, Split Bands, 25 or 30dB gain, SMA female Connectors, 15Volts



Order Examples: RAMP-2-3-30d-Sf-15V-z10

Description: (Amplifier, 2-3GHz, 30dB Gain, SMA Female Connectors, 15Volts)

Specifications:

Frequency GHz	Noise Figure dB (max)	Pout 1dB (dBm, min)	Gain dB (min)	Gain Var. (± dB Max)	VSWR In/Out	Connector
2-3	2.0	10	30	0.5	1.5:1	SMA Female
2.8-3.9	1.2	10	25	1.0	2:1	SMA Female
7.90-8.55	2.0	10	30	0.5	1.5:1	SMA Female