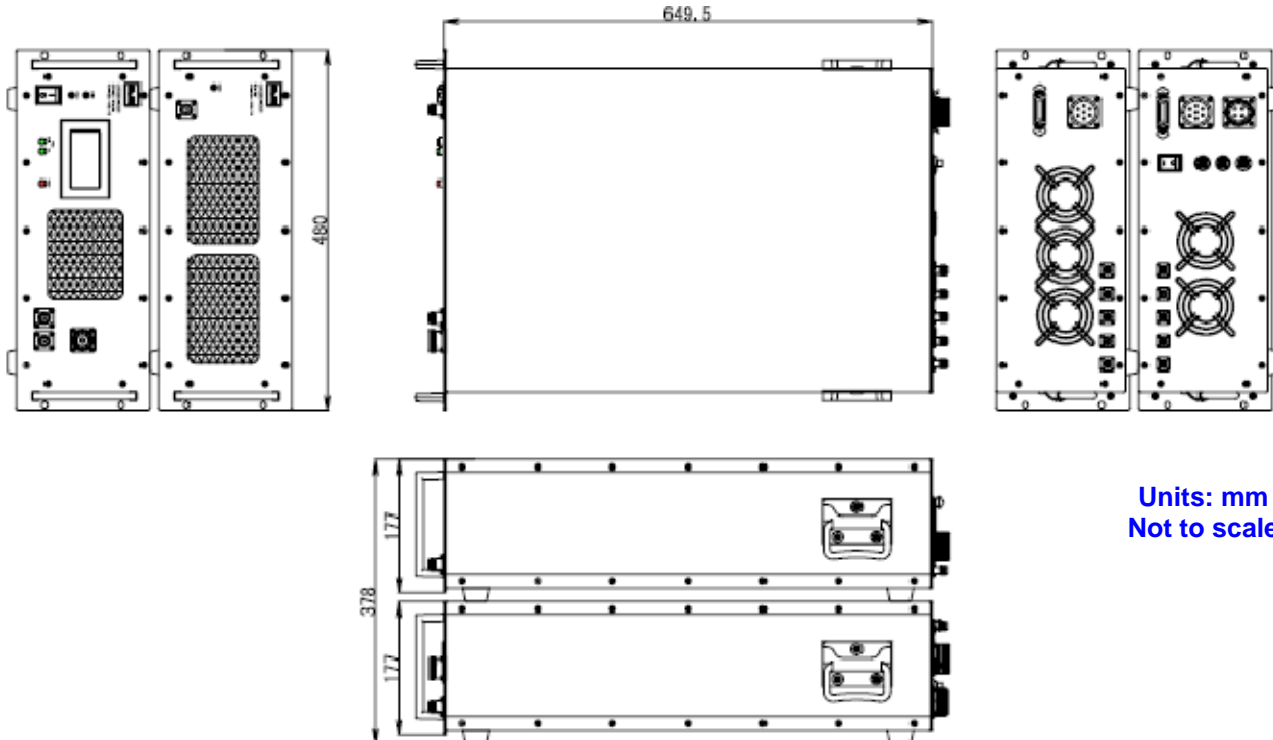


Amplifier, 429-439MHz or 445-455MHz, 60dBm Gain, Female Connectors SMA Input / 7/16 Output, AC220V, 1kW Continuous

DIMENSIONS & TOLERANCE				
3 ess	3~6 ess	6~30 ess	30~120 ess	120~400 ess
±0.1	±0.1	±0.2	±0.3	±0.5



Units: mm
Not to scale

Order Examples: RAMP-445-455-60d-Sf-Nf-AC-1kW-CW-k5

Description: (Amplifier, 445-455MHz, 60dB Gain,, Female Connectors SMA Input / 7/16 Output, AC 220V, 1kWatt, Continuous Wave)

Specifications		Units
Frequency Range	429-439 or 445-455	MHz
Input/Output Impedance	50	Ω (nominal)
Rated Output Power	1	kW(min) @P-sat, CW
In-band Gain	+60.0	dB(min) @Po=1kW
In-band Deviation	± 1.0	dB(max) @Po=1kW
Operation Mode	Class-AB	
Input Level	0	dBm@standard input
Maximum Input Level	+2.0	dBm(max)
Harmonics	-40	dBc(max) @ Po=1kW
Spurious	-60	dBc(max) @Po=1kW
Noise Figure	10	dB(max)

Amplifier, 429-439MHz or 445-455MHz, 60dBm Gain, Female Connectors SMA Input / 7/16 Output, AC220V, 1kW Continuous

Specifications		Units
Input VSWR	1.5	(max)
Output VSWR	1.5	(max)
Input/Connectors – RF Input	N Female	
Output Connectors - RFOutput	7/16" Female	
Mon. Output	N -Female	(FWD,REF Coupling 60dB+/-1dB)
Power Supply Voltage	AC220V	3 Phase 47-63Hz
Consumption Power	4	kW (typ)
Operation Temperature	0 to +35	°C
Storage Temperature	-15 to +55	°C
Humidity	15 to 85	% @+25°C (no dew drop)
Cooling Method	Forced Air Cooling	
Dimensions (4U 19" ETA Unit) x 2 Unit (P.A. Unit, Combiner/P.S. Unit)	(W)480 x (D)650 x (H)177	mm
Weight	70	Kg (approx) / Estimated, N/W

Protection Circuit

(1) Temperature Protection Circuit

If the surface temperature of Heat-Sink used for Final stage Amplifier and its Pre-final stage amplifier exceeds + 65°C (Nominal), Power Supply switch is automatically turned off

(2) Power Supply Protection Circuit

At the time of Voltage-Drop, Stop, Over-Voltage, Over-Current, Activation of Temperature Protection, or Stop of Cooling Fans of Switching Power Supply inside Power Supply Unit, Power Supply Switch is automatically turned off

(3) Excessive Output Power Protection Circuit

If forward power exceeds 110% of output Power, Main Power Supply is turned off;

(4) Excessive Reflection Power Protection Circuit

If reflection power exceeds 100° of output power, Main Power Supply is turned off

Alarm Indication

(1) Temperature Alarm (TEMP. ALM)

(2) Power Supply Alarm (P.S. ALM)

(3) Excessive Forward Power Alarm (FWD ALM)

(4) Excessive Reflection Power Alarm (REF ALM)

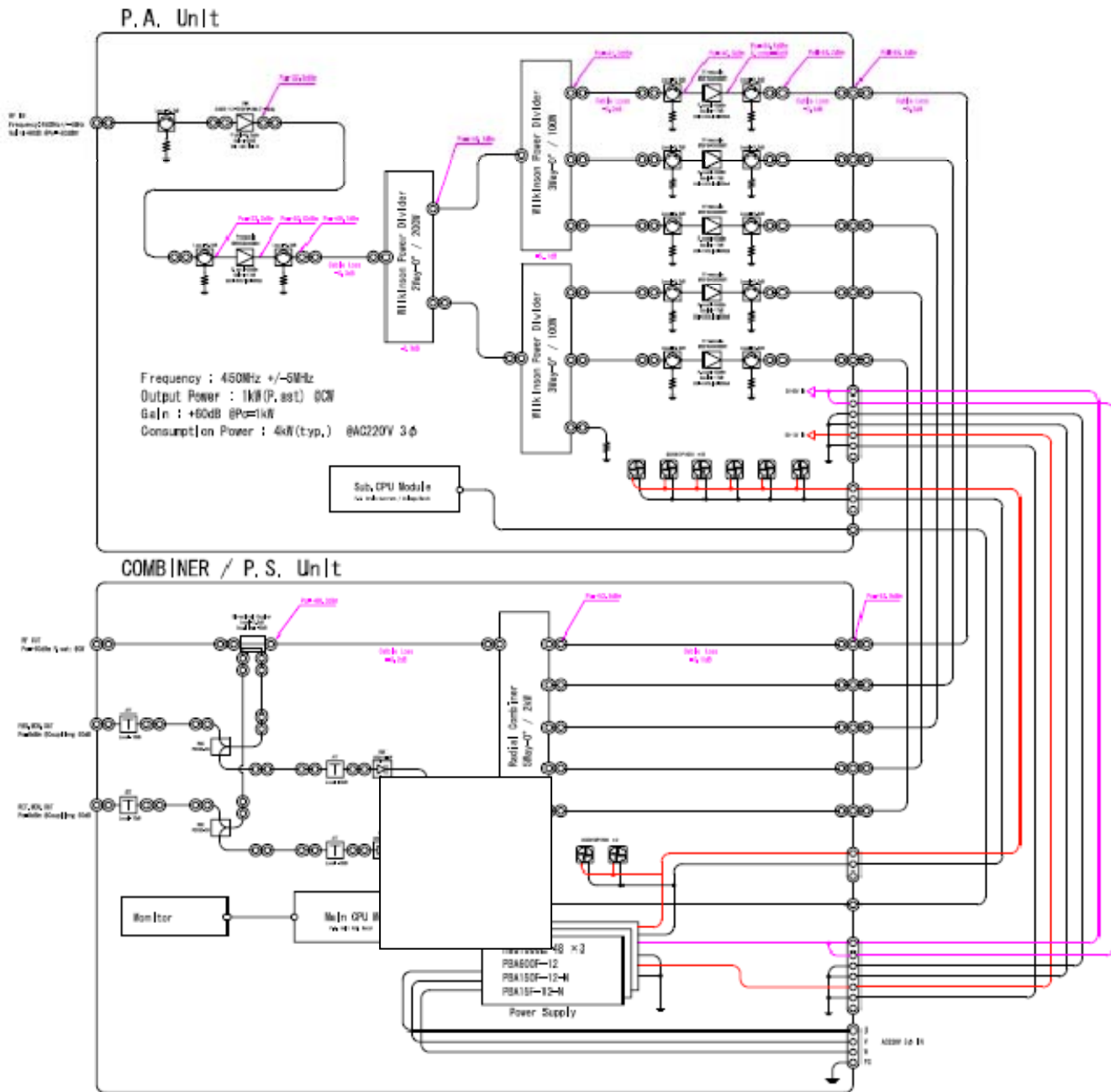
Consists of

- RF Power Amplifier (Rack) 1 set
- Power Supply Cable 1 piece
- Operation Manual 1 copy
- Test Report 1 copy

Note:

- System Rack is not included.
- Output Circulator is built in.
- Forward / Reflection Power is displayed on LCD Panel, Accuracy about ±10%

Amplifier, 429-439MHz or 445-455MHz, 60dBm Gain, Female Connectors SMA Input / 7/16 Output, AC220V, 1kW Continuous



DIMENSIONS & TOLERANCE				
3 less	3~6 less	6~30 less	30~120 less	120~400 less
±0.1	±0.1	±0.2	±0.3	±0.5