

## Power Amplifier 32-38GHz

Up to 19 dB gain, 12VDC-SMA 2.92mm female Connectors,  
1.8-4.5 Watts

### Key Features

Output Saturation Power: 37dBm\*

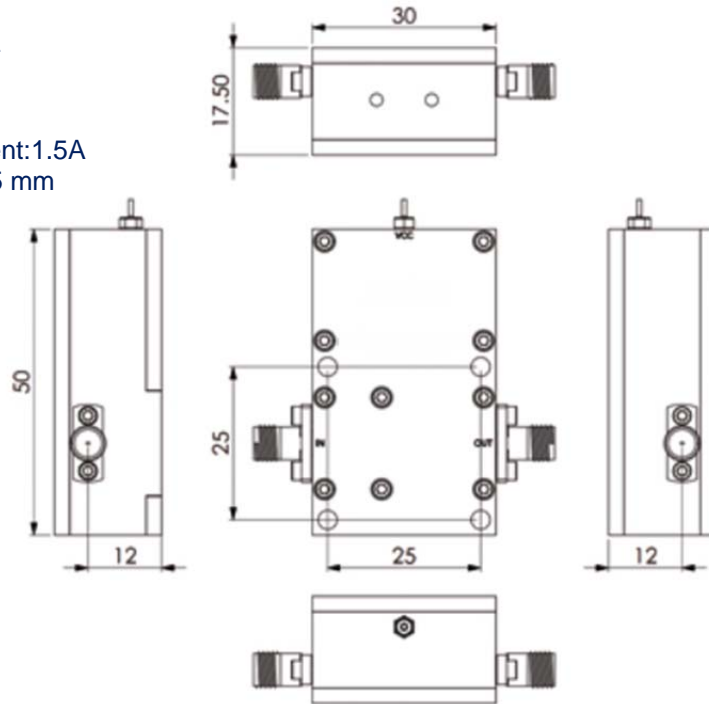
Small Signal Gain: up to 19dB\*

\*(See Plots – pg 2)

Bias: Power supply: 12VDC Current:1.5A

Package Dimensions: 30x50x17.5 mm

Connectors: 2.92 mm



This Ka-Band Amplifier provides up to 37 dBm (4.5W) and a Gain of 15.5-19.0 dB. Its compact size and modularity makes it ideal for a wide range of applications.

**Order Examples:** RAMP-M-32-38-19d-12V-2.92mm(f)-1.8-4.5W-z21

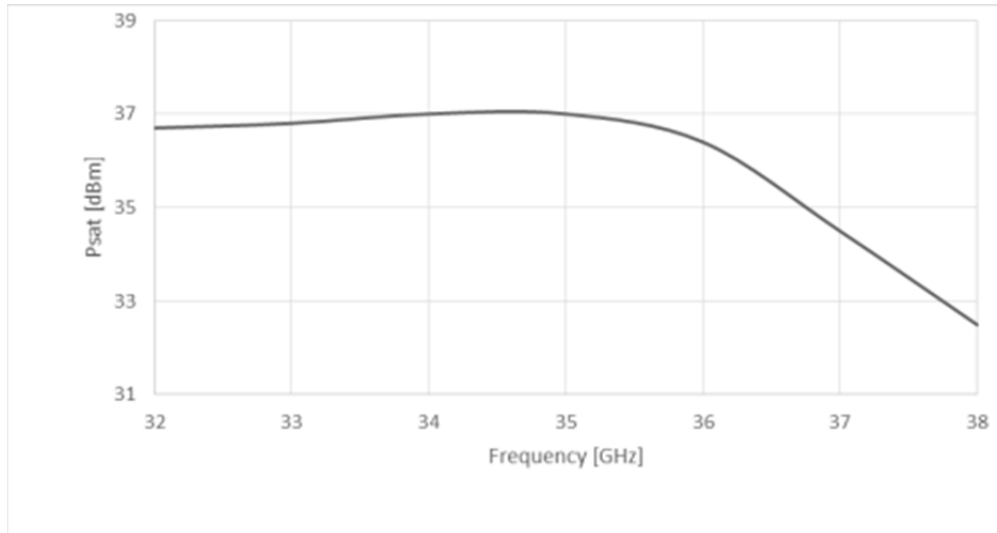
**Description:** (Power Amplifier Module, 32-38GHz, 19dB Gain 12VDC SMA 2.92mm female Connector 1.8-4.5Watts)

Parameter	Specifications		Units
Frequency Range	32-35	35-38	GHz
RF Power Psat	36.7	32.5	dBm
Gain	+18	15.5	dB
Gain flatness	±2		dB
Voltage	12 ±4		VDC
Max. Input DC (no damage)	16		V
Current	1500		mA
Power consumption	18		Watts
VSWR Out	2.0:1		
<b>Mechanical</b>			
Connectors	2.92mm Female		
Operating Temp	-35 to 70		°C
Storage Temperature	-55 to 125		°C

## Power Amplifier 32-38GHz

Up to 19 dB gain, 12VDC-SMA 2.92mm female Connectors,  
1.8-4.5 Watts

### Expected Output Power



### Expected Gain

