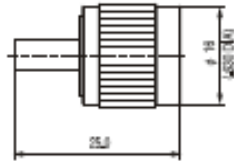


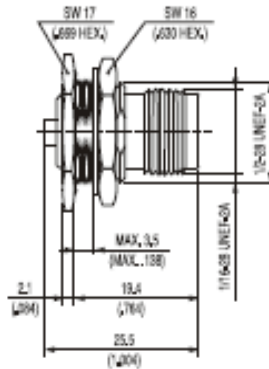
TNC

Cable Connectors for Semi-Rigid Cables



STRAIGHT PLUG

Part Number	Cable
C 370-001	.085"(RG-405, M17/133)
C 370-002	.141"(RG-402, M17/130)

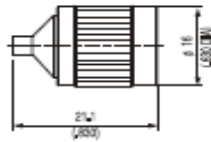


BULKHEAD JACK

Part Number	Cable
C 370-003	.085"(RG-405, M17/133)
C 370-004	.141"(RG-402, M17/130)

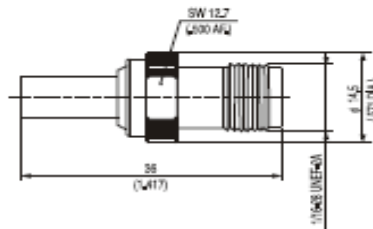
TNC

Cable Connectors for Flexible Cables



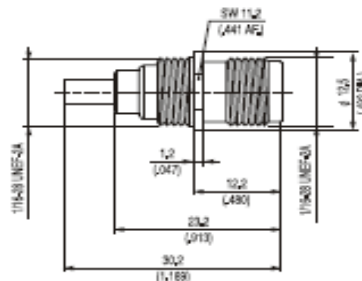
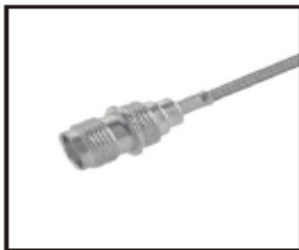
STRAIGHT PLUG

Part Number	Cable
C 370-005	RG-174, 188, 316
C 370-006	RG-400, 142, 223, 58
C 370-007	RG-213, 214, 393



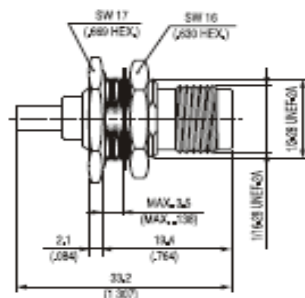
STRAIGHT JACK

Part Number	Cable
C 370-008	RG-174, 188, 316
C 370-009	RG-400, 142, 223, 58



BULKHEAD JACK

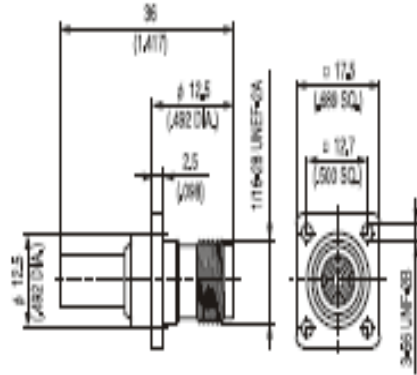
Part Number	Cable
C 370-010	RG-174, 188, 316
C 370-011	RG-400, 142, 223, 58



BULKHEAD JACK

Part Number	Cable
C 370-012	RG-174, 188, 316
C 370-013	RG-400, 142, 223, 58

TNC

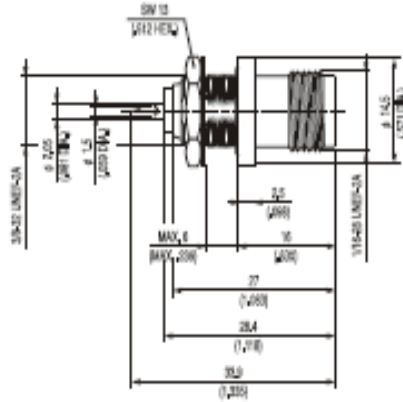


PANEL JACK

Part Number	Cable
C 370-014	RG-174, 188, 316
C 370-015	RG-400, 142, 223, 58

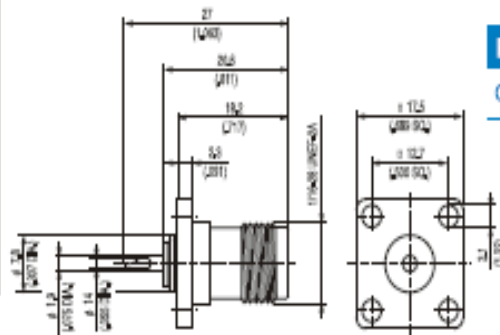
TNC

Receptacle Connectors



BULKHEAD JACK

Part Number	Description
C 370-016	



PANEL JACK

Part Number	Description
C 370-017	

TNC

Specifications

ELECTRICAL

Electrical Data	General Specifications		Note
Impedance	50 Ω		
Frequency range	DC - 11 GHz		
V.S.WR - Straight semi-rigid - Straight flexible - Right angle flexible	1 GHz	2.5 GHz	
	1.06	1.06	RG-405/0,085*
	1.10	1.15	RG-316/u
	1.06	1.12	RG-316u
Dielectric withstanding - Voltage(at sea level) - Working voltage(at sea level)	1500V rms, 50HZ		
	$\leq 500V$ rms, 50HZ		
Insulation resistance	$\geq 5.10^9 M\Omega$		
Contact resistance - Center contact - Out contact	$\leq 1.5 M\Omega$		
	$\geq 1 M\Omega$		

ENVIRONMENTAL

Environmental Data	General Specifications	Note
Temperature range	-65°C – +165°C	
Temperature shock	MIL-STD202, Method107, Condition B	
Moisture resistance	MIL-STD202, Method106	
Corrosion	Salt spray Test acc. to MIL-STD-202, Method101, Condition B	
Vibration	MIL-STD202, Method204, Condition B	
Shock	MIL-STD202, Method213, Condition I	

MECHANICAL

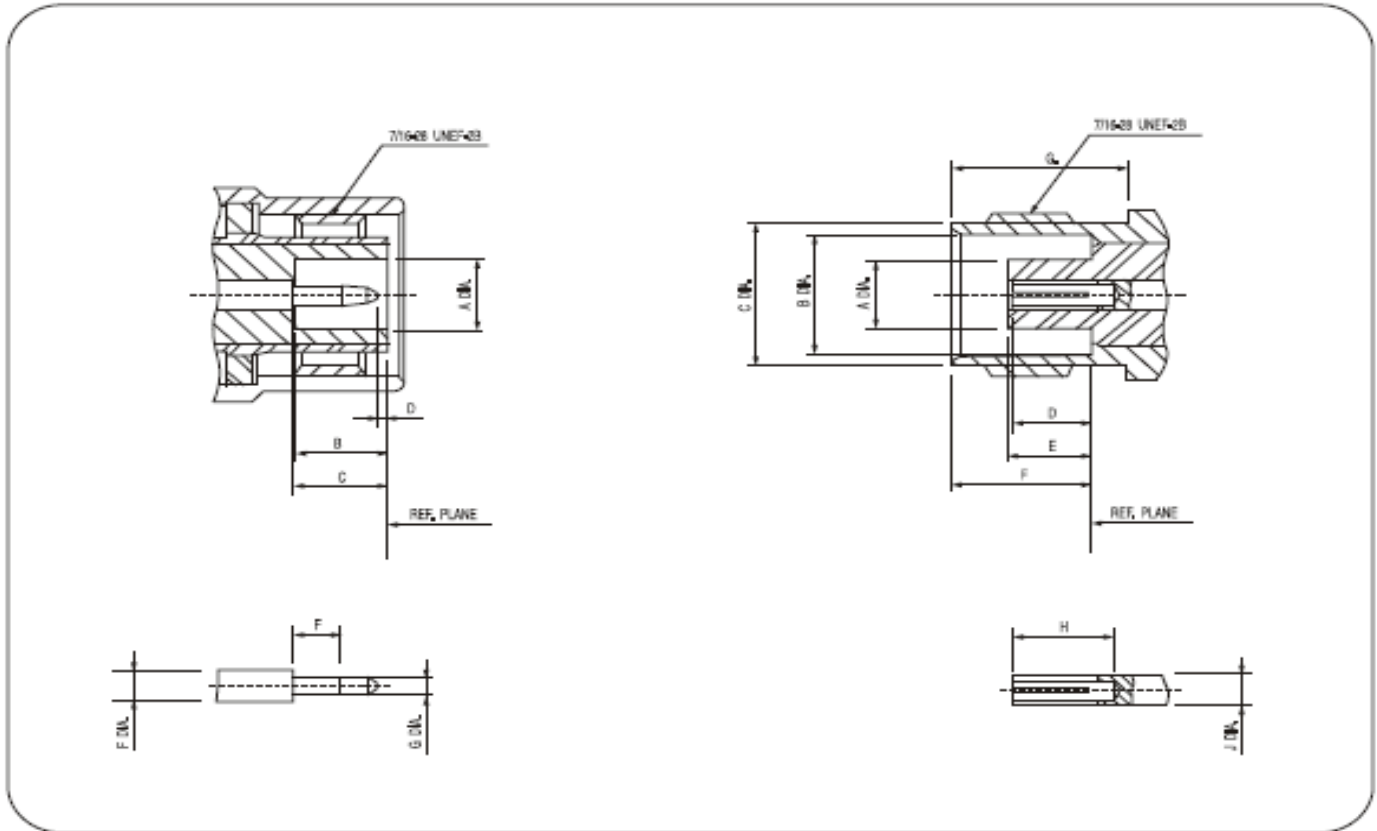
Mechanical Data	General Specifications	Note
Engagement force		
- Recommended torque	46Ncm – 69Ncm / 4.1 in. lbs – 6.1 in. lbs	
- Coupling proof torque	170Ncm / 15.0 in. lbs	
Coupling retention force	$\geq 450 N$ / 101.2 lbs	
Contact captivation	$\geq 27 N$ / 6.1 lbs	
Durability(Matings)	≥ 500	

MATERIAL

Connector Part	Material	Plating
Bodys , Pin contact	Brass	Gold, Nickel
Socket contacts	Beryllium-copper	Gold
Gaskets	Silicone rubber	
Insulators	PTFE	
Crimp ferrules	Brass	Nickel

TNC

Threaded Navy Connector 50 Ω Interface Dimensions



PLUG

Letter	Millimeters			
	Min.	Max.	Min.	Max.
A	.190	-	4.83	-
B	.208	.228	5.28	5.79
C	.210	.230	5.28	5.84
D	.003	-	0.08	-
E	.081	.087	2.06	2.21
F	.078	-	1.98	-
G	.052	.054	1.32	1.37
H	-	-	-	-
J	-	-	-	-

JACK

Letter	Millimeters			
	Min.	Max.	Min.	Max.
A	-	.188	-	4.72
B	.319	.321	8.10	8.15
C	.378	.382	9.60	9.70
D	.186	.206	4.72	5.23
E	.188	.208	4.78	5.28
F	.327	.335	8.31	8.51
G	.414	-	10.52	-
H	.195	-	4.95	-
J	.081	.087	2.06	2.21