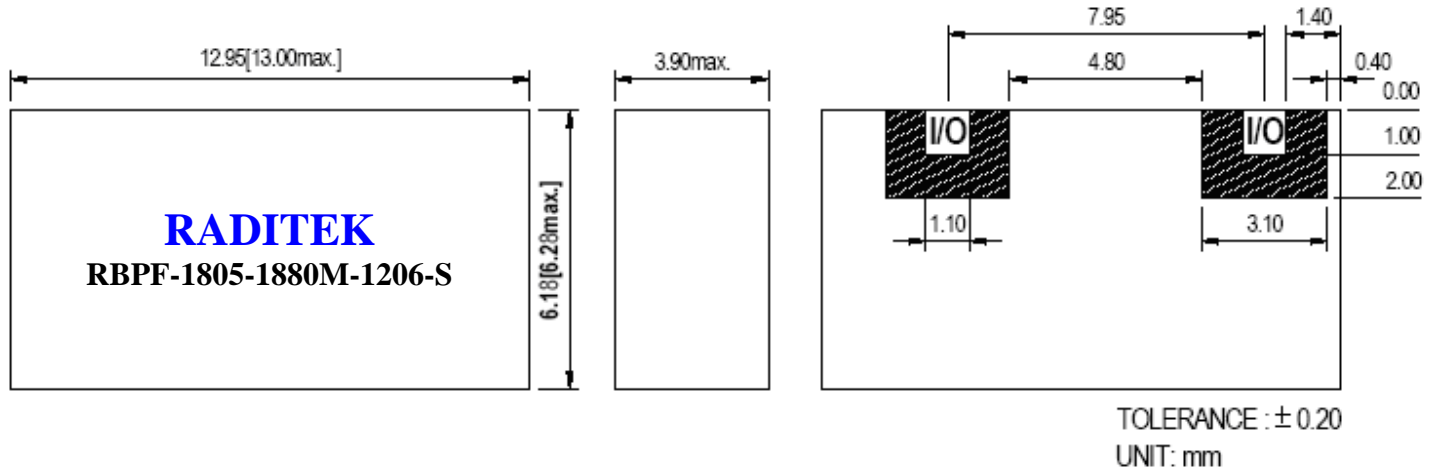


RADITEK INC.

Dielectric Band Pass Filter 1805 MHz to 1880 MHz, Model 1206, Surface Mount RBPF-1805-1880M-1206-S

code-q



ELECTRICAL SPECIFICATIONS			
ITEM		SPEC	Unit
1	Center Frequency [fo]	1842.5	MHz
2	Bandwidth [BW]	fo ± 37.5 [1805 ~ 1880]	MHz
3	Insertion Loss in BW	3.0 max.	dB
4	Ripple in BW	1.5 max.	dB
5	VSWR	2.0 min.	dB
6	Attenuation [Absolute Value]	10.0 dB min. @ 1732 MHz 60.0 dB min. @ 1805~1825MHz	
7	In/Out Impedance	50 Ω	
8	Operation Temperature Range	-40°C to +85°C	

RBPF-1805-1880M-1206-S-q

Specifications subject to change

05/24/08

WORLD HQ: 1702L Meridian Ave. Suite 127, San Jose, Ca 95125, U.S.A.

Telephone: (408) 266-7404 FAX: (408) 266-4483

WEB: www.raditek.com, E-mail: sales@raditek.com