

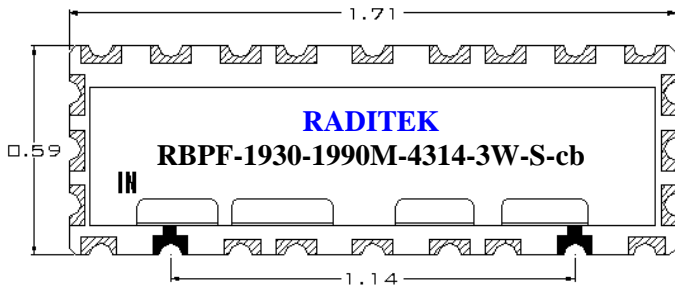
RADITEK INC.

Ceramic Band Pass Filter

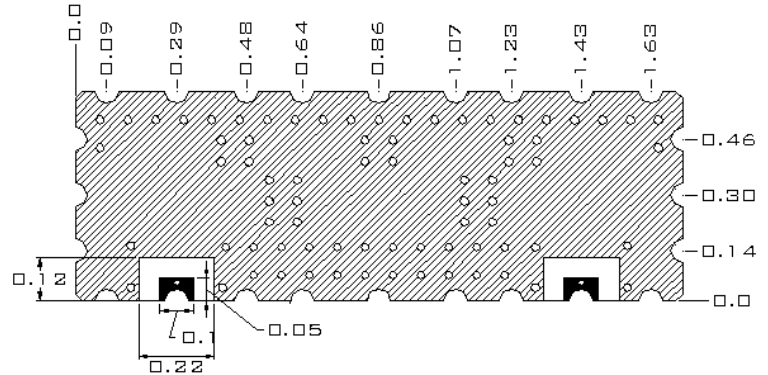
code-j2

1930 MHz to 1990 MHz, Model 4314, 3 Watts, Surface Mount
RBPF-1930-1990M-4314-3W-S-cb

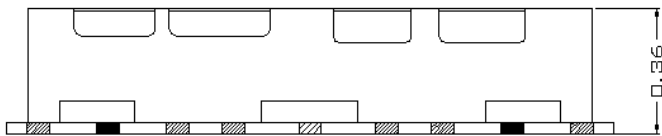
TOP VIEW



BOTTOM VIEW



FRONT VIEW



I/O PORT
 GROUND
 TOLERANCE : ± 0.01
 UNIT : INCH

ELECTRICAL SPECIFICATIONS

ITEM	SPEC	Unit
1 Center Frequency [fo]	1960.0	MHz
2 Bandwidth [BW]	fo \pm 30.0 min. [1930 ~ 1990]	MHz
3 Insertion Loss at fo	3.0 max.	dB
4 Ripple in BW	1.5 max.	dB
5 Return Loss in BW	15.0 min.	dB
6 Input Power	3W max.	
7 In/Out Impedance	50 Ω	
8 Attenuation [Absolute Value]	60.0 dB min. @ fo + 160 [2110] MHz	
9 Operation Temperature Range	-40°C to +85°C	

RADITEK INC.

Ceramic Band Pass Filter

1930 MHz to 1990 MHz, Model 4314, 3 Watts, Surface Mount
RBPF-1930-1990M-4314-3W-S-cb

code-j2

RECOMMENDED PC BOARD PATTERN

