

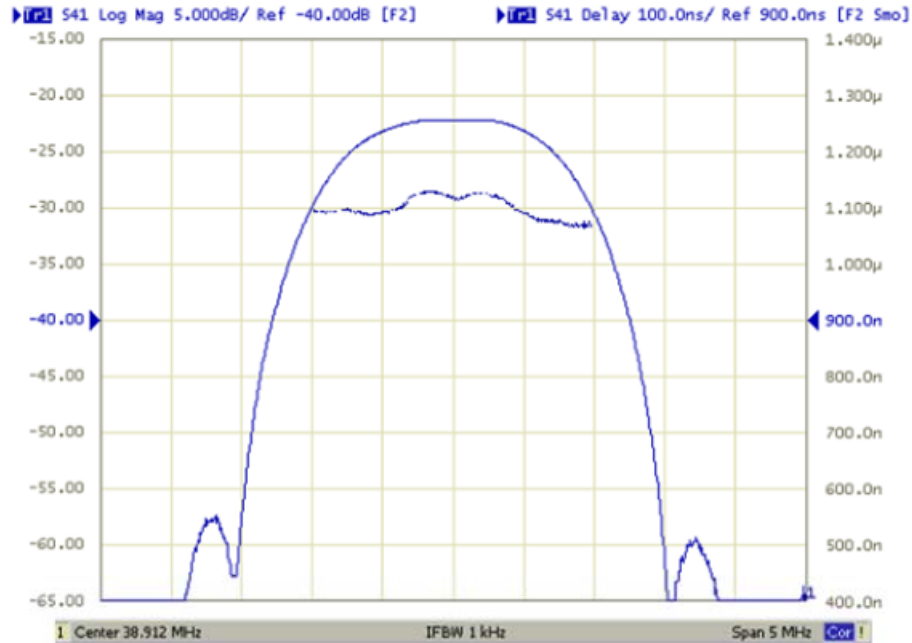
RADITEK INC.

SAW Band Pass Filter for Digital Audio Broadcasting 38.812MHz to 39.012MHz, 10 dBm Input Power, 10 Volts, Surface Mount RSAW-BPF-38.812-39.012M-0904-10d-10V-S-p2

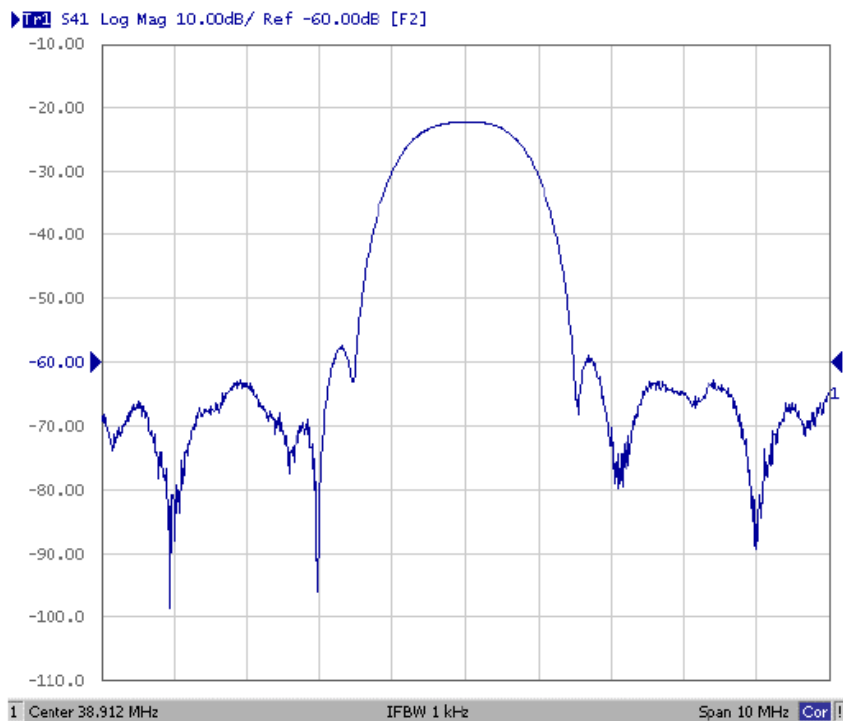
code-p2

1. Group delay:

FREQUENCY RESPONSE



2. S21 Response:



RSAW-BPF-38.812-39.012M-0904-10d-10V-S-p2 Specifications may be subject to change

02/18/09

WORLD HQ: 1702L Meridian Ave. Suite 127, San Jose, Ca 95125, U.S.A.

Telephone: (408) 266-7404 FAX: (408) 266-4483

WEB: www.raditek.com, E-mail: sales@raditek.com

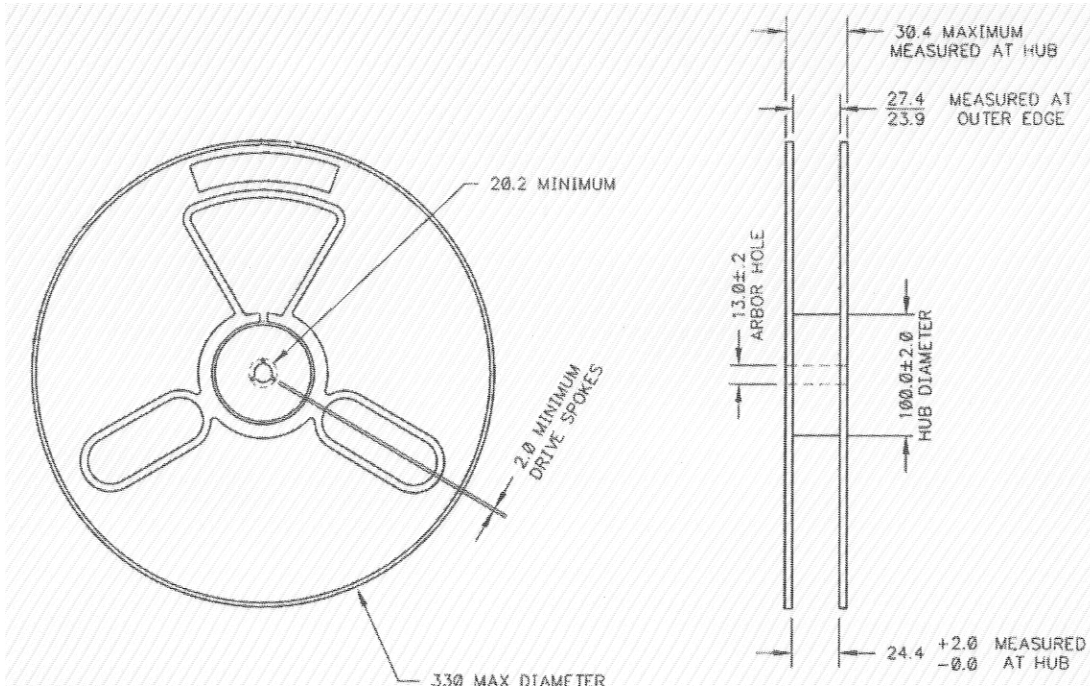
RADITEK INC.

SAW Band Pass Filter for Digital Audio Broadcasting
38.812MHz to 39.012MHz, 10 dBm Input Power, 10 Volts, Surface Mount
RSAW-BPF-38.812-39.012M-0904-10d-10V-S-p2

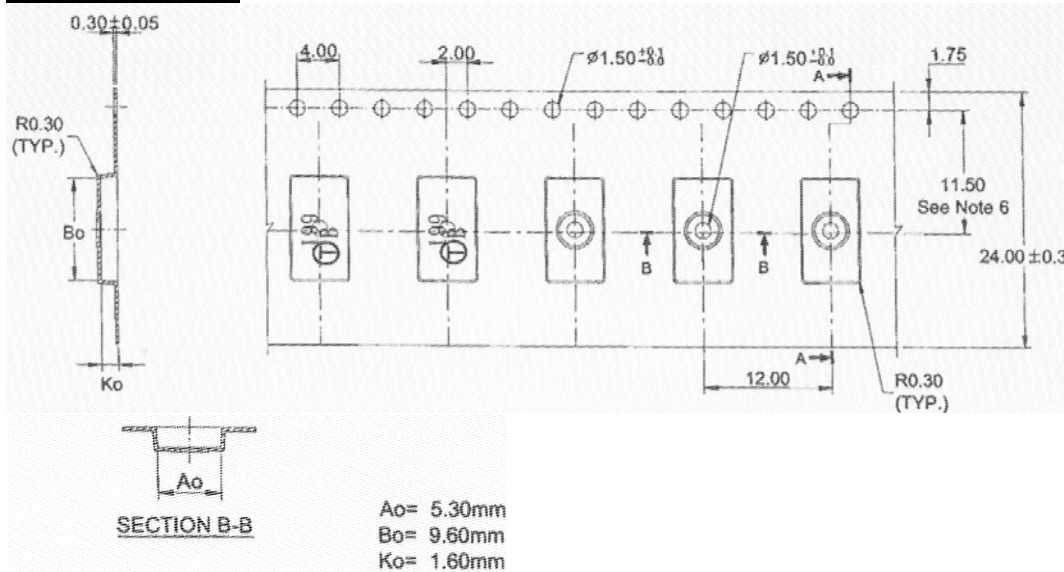
code-p2

Packaging:

Reel Dimension



Tape Dimension:



RSAW-BPF-38.812-39.012M-0904-10d-10V-S-p2 Specifications may be subject to change

02/18/09

WORLD HQ: 1702L Meridian Ave. Suite 127, San Jose, Ca 95125, U.S.A.

Telephone: (408) 266-7404 FAX: (408) 266-4483

WEB: www.raditek.com, E-mail: sales@raditek.com