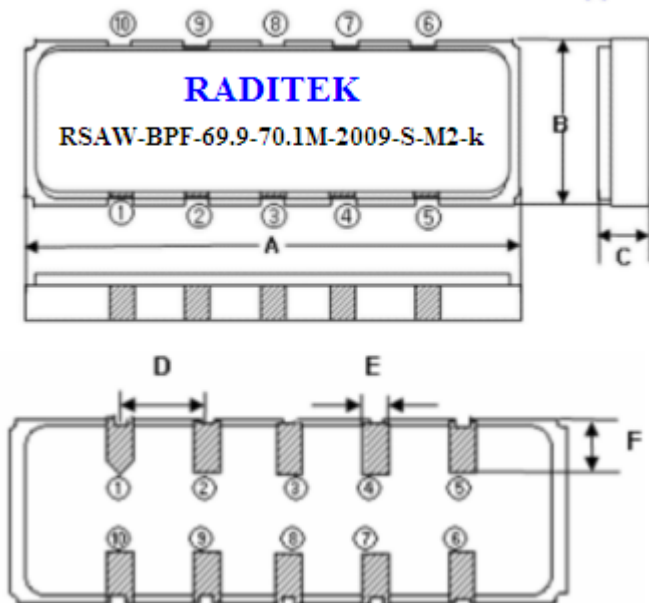


Surface Acoustic Wave (SAW) Band Pass Filter 69.9-70.1MHz, Surface Mount RSAW-BPF-69.9-70.1M-2009-S-k

code-k

Equivalent to Sawtek Filter # 854655

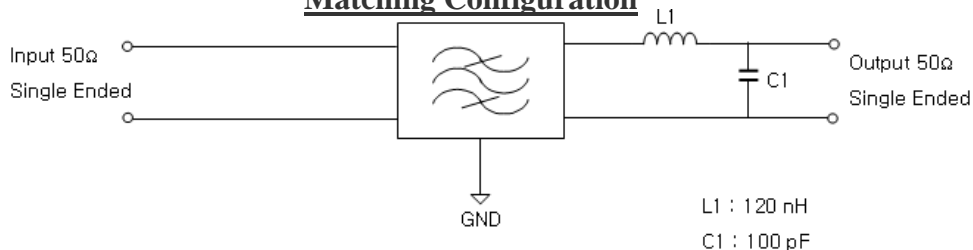


Package Dimensions

DIM	MILLIMETERS
A	20.00±0.2
B	9.80±0.2
C	1.56±0.12
D	1.91
E	1.02
F	2.3

PIN NO	FUNCTION
⑤,⑩	Signal 10 i/p, 5 o/p
①,②,③,④, ⑥,⑦,⑧,⑨	Ground

Matching Configuration



Specifications	Test Condition	Typical	Units
Center Frequency	Fo	70.00	MHz
Insertion Loss	Fo	18.36	dB
Passband Ripple		0.69	dB
3dB Bandwidth	Fo-3dB	3.608	MHz
Attenuation	Fo-2.1MHz	17.31	dB
	Fo+ 2.1MHz	20.62	dB
	Fo-2.3MHz	44.61	dB
	Fo+ 2.3MHz	45.5	dB
	Fo-2.7MHz	63.61	dB
	Fo+ 2.7MHz	52.48	dB
	Fo-6.7MHz	53	dB
Fo+ 6.7MHz	53	dB	

Surface Acoustic Wave (SAW) Band Pass Filter 69.9-70.1MHz, Surface Mount RSAW-BPF-69.9-70.1M-2009-S-k

code-k

Equivalent to Sawtek Filter # 854655

Typical Performance

