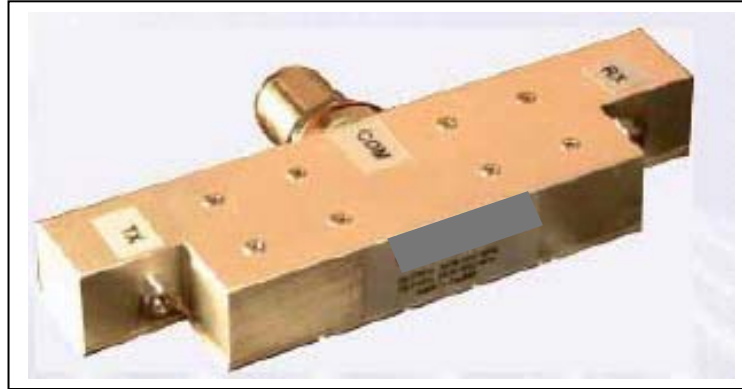


RADITEK INC.

Cavity Diplexer Wi Max 2.4-3.9GHz Tunable Bands

code-m



Specifications	Central Unit	Remote Unit
Tunable Frequency-Fo	Center frequency*:- 2400-3900 MHz	Center Frequency*:- 2400-3900 MHz
Tx:	2400-3900 MHz	2400-3900 MHz
Rx:	2400-3900 MHz	2400-3900 MHz
Pass band		
Tx:	Fo ± 14 MHz	Fo ± 14 MHz
Rx:	(fo -100 MHz) ± 14 MHz	(fo -100 MHz) ± 14 MHz
1 dB bandwidth	28 MHz min	28 MHz min
In-band ripple	<0.5 dB max	< 0.5 dB
Group delay	< 0.5 ns (over 2 MHz) < 1.0 ns (over 14 MHz)	< 0.5 (over 2 MHz) <1.0 ns (over 14 MHz)
Insertion loss	1.2 dB max	< 1.2 dB
I/O impedance	50 Ω	50 Ω
Tx to Rx Rejection	<-60 dB, typ.: -75dB	<-60 dB, typ.: -75 dB
Rx to Tx Rejection	<-60 dB, typ.: -75dB	<-60 dB , typ.: -75 dB
Input power	20 watts	20 watts
Size	5.2" x 0.773" x 2.11"	5.2" x 0.817" x 1.425"
Tx/Rx port Connectors	SMP-F	SMP-F
Com port Connector	N-F	SMP-F
Over Temperature	-40°C to +85°C	-40°C to +85°C

RCDIPL 2.4-3.9GHz bands WiMax-m **Specifications may be subject to change**

01/17/07

WORLD HQ: 1702H Meridian Ave. Suite 127, San Jose, Ca 95125, U.S.A.

Telephone: (408) 266-7404 FAX: (408) 266-4483

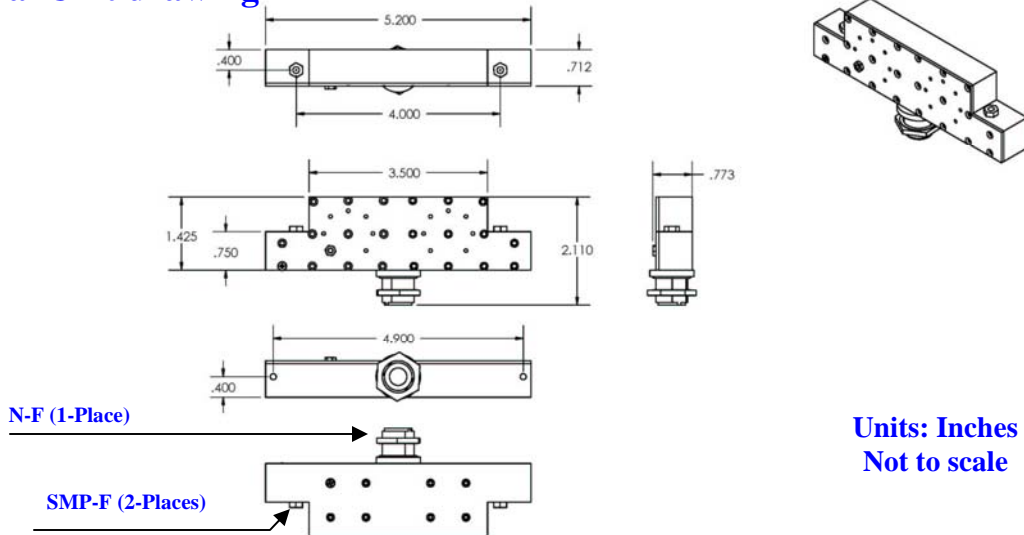
WEB: www.raditek.com, E-mail: sales@raditek.com

RADITEK INC.

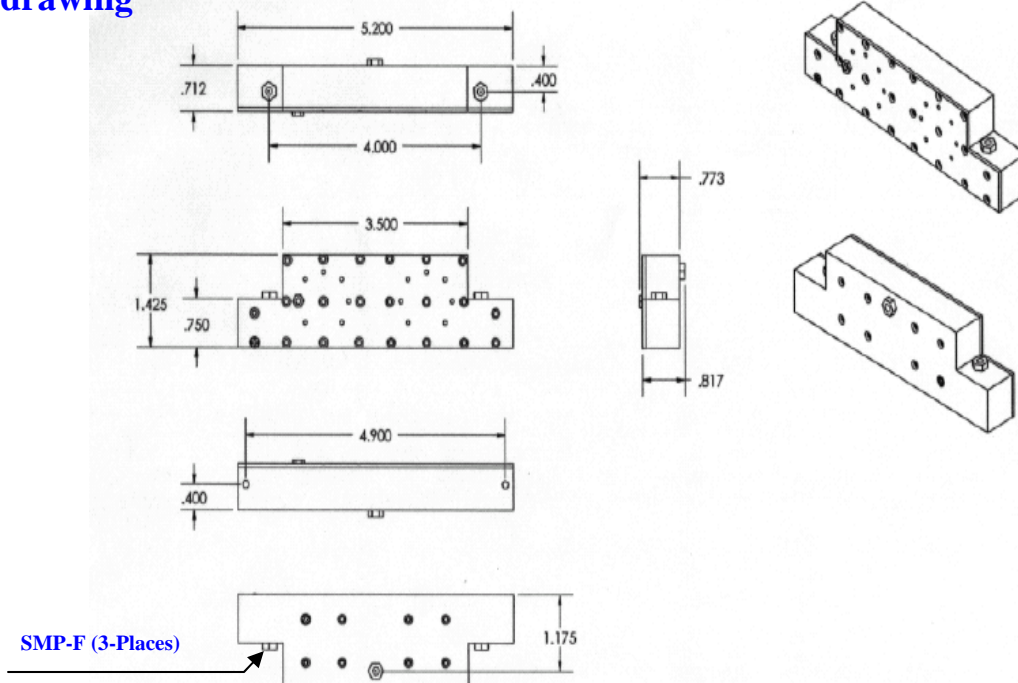
Cavity Diplexer Wi Max 2.4-3.9GHz Tunable Bands

code-m

Central Unit drawing



Remote Unit drawing



RCDIPL 2.4-3.9GHz bands WiMax-m **Specifications may be subject to change**

01/17/07

WORLD HQ: 1702H Meridian Ave. Suite 127, San Jose, Ca 95125, U.S.A.

Telephone: (408) 266-7404 FAX: (408) 266-4483

WEB: www.raditek.com, E-mail: sales@raditek.com