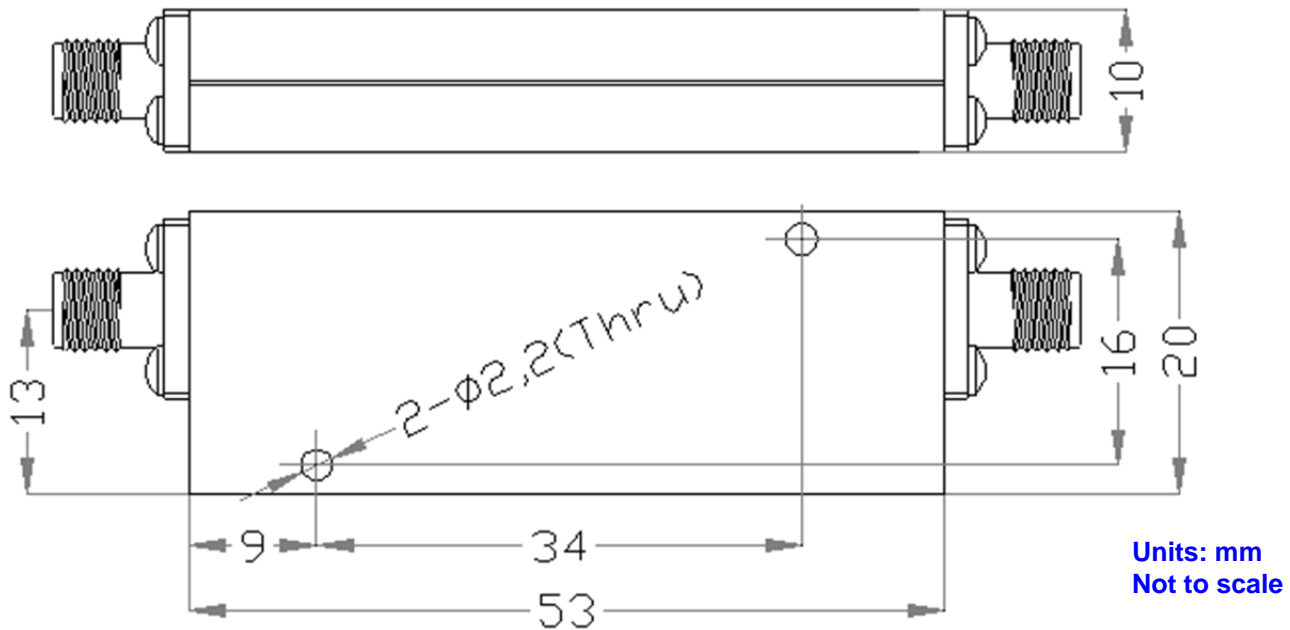


## High Pass Filter, 1.5-3.5GHz SMA Female Connectors, 15Watts



**Order Examples: RHPF-1.5-3.5-Sf-15W-c14**

**Description:** (High Pass Filter, 1.5-3.5GHz, SMA Female Connectors, 15Watts)

Specifications		Units
Pass Band Frequency	<b>1.5-3.5</b>	GHz
Pass Band Insertion Loss	≤1.0	dB
Pass Band VSWR	≤1.6:1	max
Stop Band Rejection	≥60 @ DC~1.0GHz	
Impedance	50	Ω
Power Handling	≤15	Watts
Temperature Range	-55°C~+85	°C
Surface Finish	Guided Oxygen or Black Paint	
Port Connectors	SMA-Female	