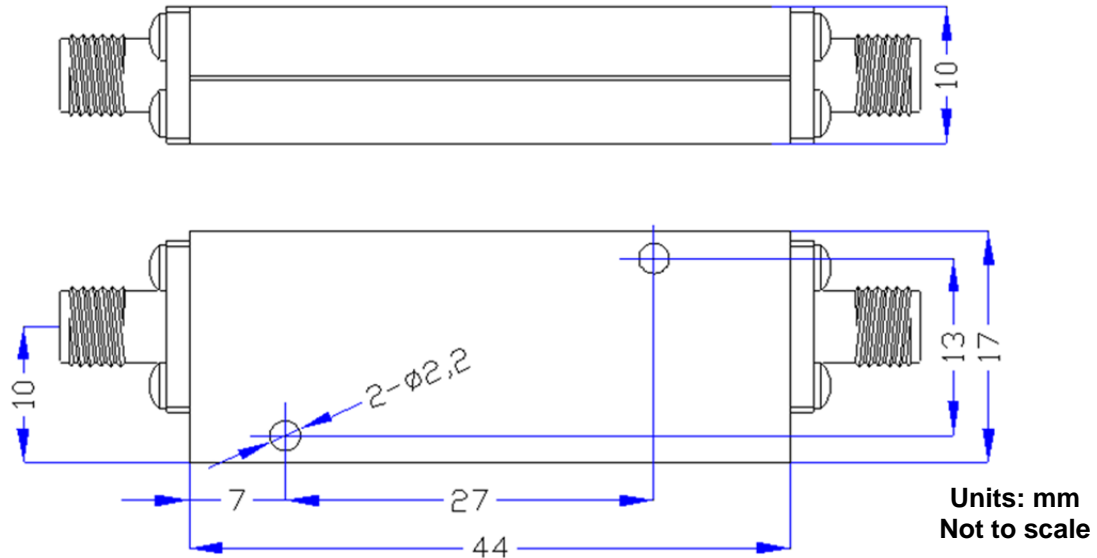


High Pass Filter, 2-18 GHz SMA Female Connectors, 10 Watts



Order Examples: RHPF-2-18-Sf-10W-c14

Description: (High Pass Filter, 2-18GHz, SMA Female Connectors, 10Watts)

Specifications		Units
Pass Band Frequency	2-18	GHz
Insertion Loss	≤ 1.5	dB
VSWR	$\leq 2.0:1$	max
Rejection	≥ 50 @ DC-1.5GHz	
Power Handling	10	Watts
Surface Finish	Guide Oxygen or Black Paint	
Port Connectors	SMA-Female	

High Pass Filter, 2-18 GHz SMA Female Connectors, 10 Watts

