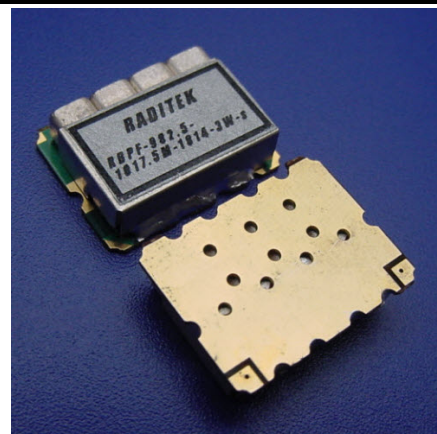
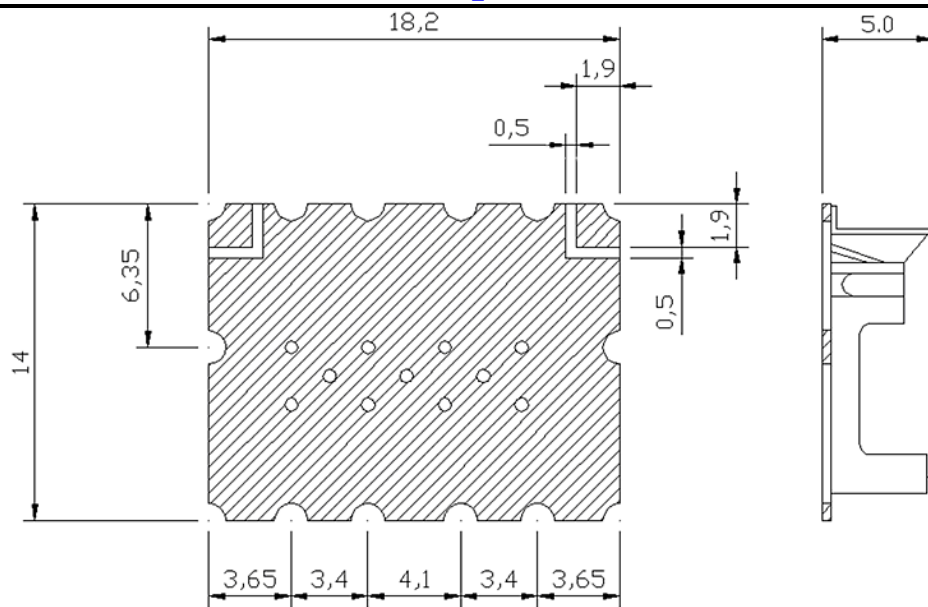


Ceramic Band Pass Filter

code-k

710MHz - 3.79 GHz, Split Bands, Model 1814, 3 Watts, Surface Mount



Units: mm
Not to scale
Tolerance ± 0.3

Order Examples: RBPF-710-730M-1814-3W-S-k

Description: (Band Pass Filter, 710-730 MHz, Model 1814, 3 Watts, Surface Mount)

Input Power (max) 3 Watts Operation Temperature Range -20 to +85°C

SPECIFICATIONS	Center Frequency MHz	Band width MHz	Insertion Loss dB max	Ripple dB max	VSWR	Attenuation
Part Number						
RBPF-710-730M-1814-3W-S-k	720	20	Fo 4.0	3.0	Fo 1.5:1	60dB @ ± 100 MHz
RBPF-790-810M-1814-3W-S-k	800	20	Fo 4.0	3.0	Fo 1.5:1	60dB @ ± 100 MHz
RBPF-950-970M-1814-3W-S-k	960	20	Fo 4.0	3.0	Fo 1.5:1	60dB @ ± 100 MHz
RBPF-982.5-1017.5M-1814-3W-S-k (Note: Operating Temperature: -20 to +70°C)	1000	35	Fo 3.0	0.7	Fo 1.5:1	50dB min @ 865MHz 50dB min @ 1135MHz
RBPF-1055-1075M-1814-3W-S-k	1065	20	3.0	0.5	Fo 1.5:1	35dB @ Fo ± 100 MHz
RBPF-1190-1210M-1814-3W-S-k	1200	20	Fo 4.0	3.0	Fo 1.5:1	60dB @ ± 100 MHz
RBPF-1430-1450M-1814-3W-S-k	1440	20	Fo 4.0	3.0	Fo 1.5:1	60dB @ ± 100 MHz

RBPF-710-3790M-1814-3W-S-k (Generic) Specifications may be subject to change

01/12/10

WORLD HQ: 1702L Meridian Ave. Suite 127, San Jose, Ca 95125, U.S.A.

Telephone: (408) 266-7404 FAX: (408) 266-4483

WEB: www.raditek.com , E-mail: sales@raditek.com

Ceramic Band Pass Filter

code-k

710MHz - 3.79 GHz, Split Bands, Model 1814, 3 Watts, Surface Mount

SPECIFICATIONS	Center Frequency MHz	Band width MHz	Insertion Loss dB max	Ripple dB max	VSWR	Attenuation
Part Number						
RBPF-1610-1650M-1814-3W-S-k	1630	40	3.0	1.0	1.5:1	20dB @ 1565MHz 20dB @ 1695MHz 40dB @ 1770MHz 50dB @ 1890MHz 40dB @ 3400MHz 40dB @ 3540MHz
RBPF-2070-2170M-1814-3W-S-k	2120	100	3.0	1.0	1.5:1	40dB @ 1490MHz 60dB @ 1770MHz 40dB @ 3540MHz
RBPF-3480-3560M-1814-3W-S-k	3520	80	Fo 3.0	1.0	1.5:1	10dB min @ ±70MHz 45dB min @ 3170MHz 20dB min @ 6340MHz
RBPF-3710-3790M-1814-3W-S-k	3750	80	Fo 3.0	1.0	1.5:1	10dB min @ ±70MHz 45dB min @ 3400MHz 20dB min @ 6500MHz