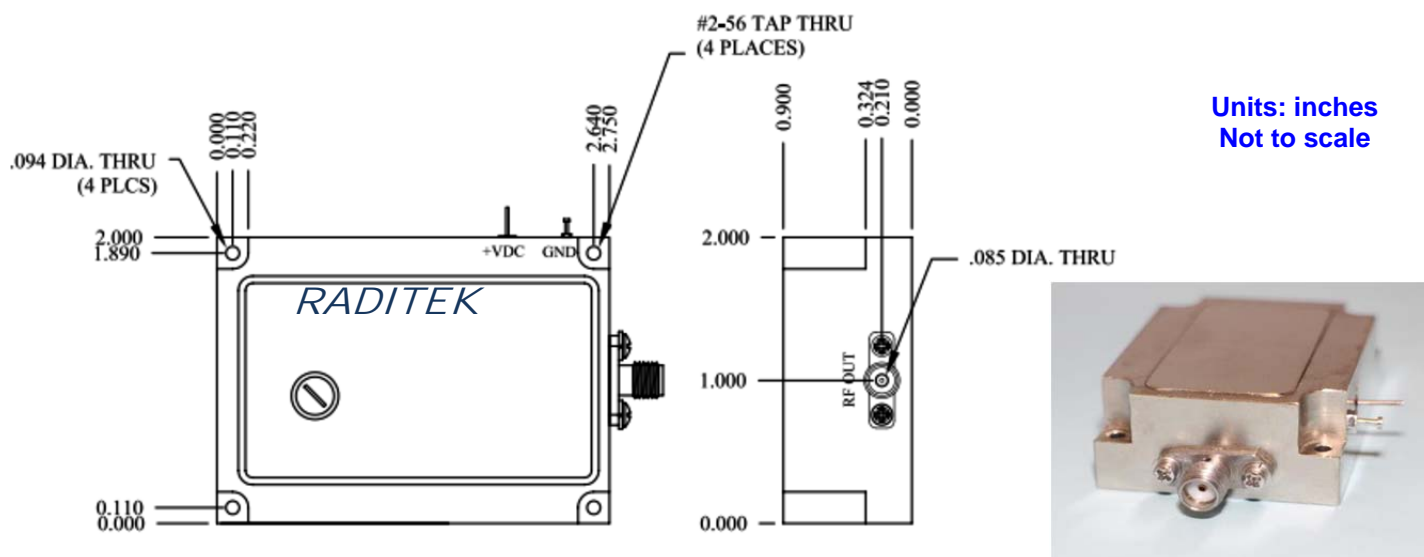


Dielectric Resonant Oscillator, 3-12 GHz Family +13 dBm. Output Power, 15 Volts



Order Examples: RDRO-9.375-13d-15V-M-s12

Description: (Dielectric Resonant Oscillator, 9.375GHz, +13dBm Output Power, 15Volts, Mechanical Tuning)

Specifications	DRO-M	DRO-E
Frequency Range	3 to 12 GHz	3 to 12 GHz
Tuning	Mechanical	Electrical
Tuning Range, Min.	±10 MHz	±5 MHz
Power Output, Min.	13 dBm	13 dBm
Power Output, Max	3 dB	3 dB
Frequency Accuracy, Max.	0.1%	0.1%
Operating Temperature	-50 to +100 °C	-50 to +100 °C
Storage Temperature	-55 to +125 °C	-55 to +125 °C
Temperature Stability, Max.	±0.05%	±0.05%
Harmonics, Below Carrier, Max.	-20 dBc	-20 dBc
Spurious Output Below Carrier, Max.	-60 dBc	-60 dBc
Phase Noise	@10 GHz	@10 GHz
10 KHz offset	-92 dBc/Hz	-92 dBc/Hz
100 KHz offset	-115 dBc/Hz	-115 dBc/Hz
1 MHz offset	-142 dBc/Hz	-142 dBc/Hz
Input Voltage	+15±0.5 VDC	+15±0.5 VDC
Input Current, Max.	75 mA	75 mA
Connector	SMA Female standard	SMA Female standard
Weight, Max.	3.0 oz.	3.0 oz.

Dielectric Resonant Oscillator, 3-12 GHz Family +13 dBm. Output Power, 15 Volts

Typical Phase Noise Plot

