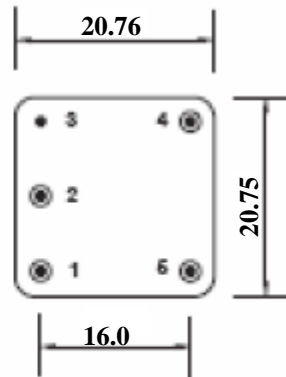
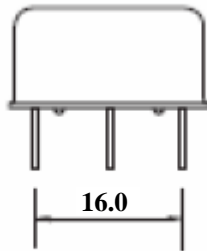
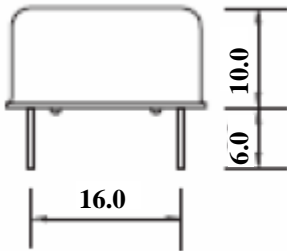


## Voltage Controlled Temperature Compensated Crystal Oscillator RVCTCXO-100MHz-j1

code-j1



Pin Connections:	
#1	+Vcc
#2	output
#3	ground/case
#4	Vref
#5	Tune

Pins viewed from bottom  
Pin Diameter 0.46mm

**Custom specification:**

**Frequency:** 100.0000 MHz  
**Tolerance:** ±20ppm(-40 +85) °C  
**Output:** Sine 13 dBm  
 Harmonics -25 dBc  
 Sub-Harmonics -55 dBc  
**Supply voltage:** +12Vd.c.  
**Voltage reference:** Not Fitted

**Generic specification:**

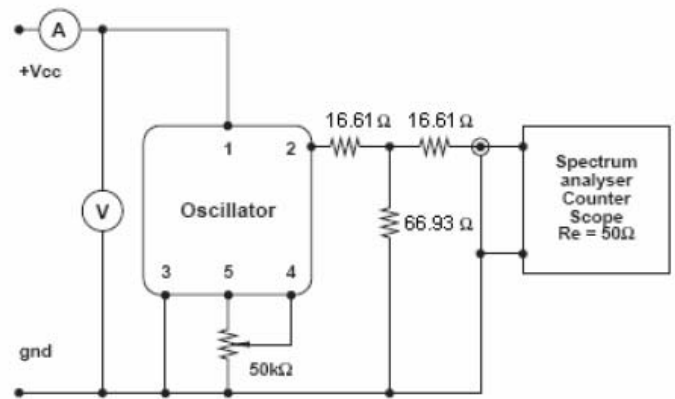
**Stability:**  
 Against Vcc change ±0.02ppm max., Vcc ±5%  
 Against load change ±0.02ppm max., load ±10%  
 Ageing short term ±0.003ppm max./day after 30 days continuous operation  
 Ageing long term ±1.0ppm max./year after 30 days continuous operation  
 Tune ±20ppm typical

**Power supplies:**  
 Current 70mA max.,  
 Insulation resistance 500MegΩ min., 100Vd.c.

**Phase noise:**  
 single sideband  
 -70dBc/Hz, fo+1Hz  
 -90dBc/Hz, fo+10Hz  
 -130dBc/Hz, fo+100Hz  
 -150dBc/Hz, fo+1KHz  
 -158dBc/Hz, fo+10KHz  
 -160dBc/Hz, fo+100KHz

**Temperature:**  
 Operating range (-40 +85) °C  
 Storage range (-40 +125)°C

**Test Circuit:**



test circuit includes a 6dB pad

**Environmental conditions:**

**Mechanical shock:** MIL standard 202F, Method 213, condition J  
**Thermal shock:** MIL standard 202F, Method 107, condition A  
**Vibration:** MIL standard 202F, Method 204, condition B  
**Solderability:** 5 seconds max. +230 °C  
 3 seconds max. +350 °C  
**RoHs:** RoHs Compliant.