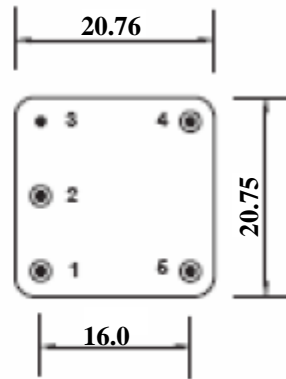
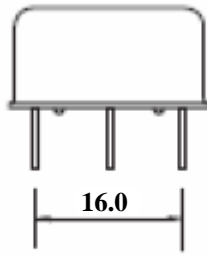
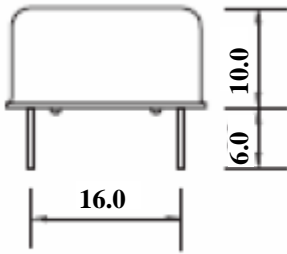


**Voltage Controlled Temperature Compensated Crystal Oscillator  
RVCTCXO-1GHz-j1**

code-j1



Pin Connections:	
#1	+Vcc
#2	output
#3	ground/case
#4	Vref
#5	Tune

**Pins viewed from bottom**  
**Pin Diameter 0.46mm**

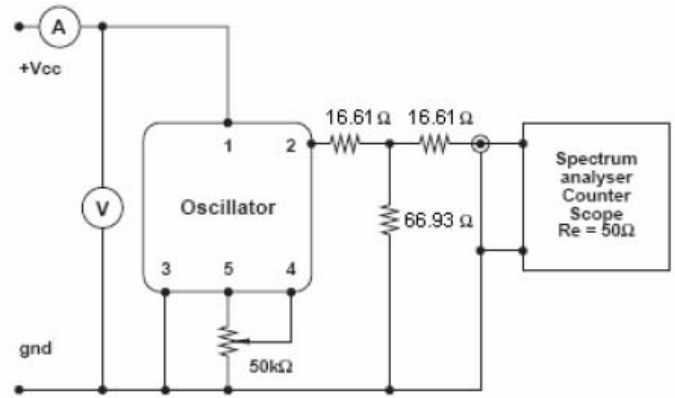
**Custom specification:**

**Frequency:** 1.0000 GHz  
**Tolerance:** ±20ppm(-20 +70) °C  
**Output:** Sine 0 dBm  
 Harmonics -25 dBc  
 Sub-Harmonics -40 dBc  
**Supply voltage:** +5Vd.c.  
**Voltage reference:** +3.0V

**Generic specification:**

**Stability:**  
 against Vcc change ±0.02ppm max., Vcc ±5%  
 against load change ±0.02ppm max., load ±10%  
 ageing short term ±0.006ppm max./day after 30 days continuous operation  
 ageing long term ±2.0ppm max./year after 30 days continuous operation  
 tune ±30ppm typical  
**Power supplies:**  
 current 70mA max.,  
 insulation resistance 500MegΩ min., 100Vd.c.  
**Phase noise:**  
 single sideband -50dBc/Hz, fo+1Hz  
 -80dBc/Hz, fo+10Hz  
 -115dBc/Hz, fo+100Hz  
 -150dBc/Hz, fo+1KHz  
**Temperature:**  
 operating range (-20 +70) °C  
 storage range (-40 +125)°C

**Test Circuit:**



**test circuit includes a 6dB pad**

**Environmental conditions:**

**mechanical shock:** MIL standard 202F, method 213, condition J  
**thermal shock:** MIL standard 202F, method 107, condition A  
**vibration:** MIL standard 202F, method 204, condition B  
**solderability:** 5 seconds max. +230 °C  
 3 seconds max. +350 °C  
**RoHs:** RoHs Compliant.