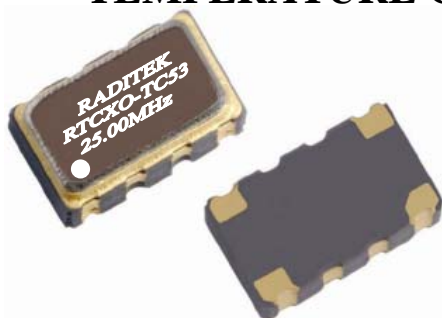


RADITEK INC.

TEMPERATURE COMPENSATED CRYSTAL OSCILLATORS

code-w

RTCXO-TC53 SERIES



- Stability up to $\pm 0.5 \times 10^{-6}$
- Control Voltage Range $\pm 10 \times 10^{-6}$ Max
- Clipped Sine Wave Output
- Ultra-Miniature Package
- Tape and Reel
- Mobile Phone

Performance Characteristics

Parameter		Condition	TC53						
Frequency Range	F_0		10.000MHz~26.000MHz						
Standard Nominal Frequency (MHz)			12.8	13	14.4	19.2	19.68	19.8	26
Frequency Stability		All Condition	See Next Table						
Operating Temperature Range	T_{OPR}		See Next Table						
Supply Voltage	V_{DD}		B: +5.0VDC $\pm 10\%$			A: +3.3VDC $\pm 10\%$			
Supply Current	I_{DD}	$10M \leq F_0 < 15M$	1.5mA Max						
		$15M \leq F_0 < 26M$	2.0mA Max						
Output Load			H: Clipped Sine Wave						
Output Level			0.8V (peak to peak) Min						
Load			10K Ω //10pF $\pm 10\%$						
Control Voltage Range			See Ordering Information						
Frequency Stability	Supply Voltage change	$\pm 5\%$	$\pm 0.2 \times 10^{-6}$						
	Load change	$\pm 10\%$	$\pm 0.2 \times 10^{-6}$						
	Aging		$\pm 1 \times 10^{-6}$ /year						
Vc Input Impedance			1.0M Ω						
Start-Up Time	T_s		2mS Max						
Storage Temperature Range	T_{STG}		$-55^\circ\text{C} \sim +125^\circ\text{C}$						

Frequency Stability Over Temperature Range

Temperature Range	Frequency Stability					
	H: $\pm 0.5 \times 10^{-6}$	I: $\pm 1.0 \times 10^{-6}$	J: $\pm 1.5 \times 10^{-6}$	K: $\pm 2.0 \times 10^{-6}$	L: $\pm 2.5 \times 10^{-6}$	N: $\pm 5.0 \times 10^{-6}$
A: $0^\circ\text{C} \sim +50^\circ\text{C}$	●	●	●	●	●	●
B: $-10^\circ\text{C} \sim +60^\circ\text{C}$	●	●	●	●	●	●
C: $-20^\circ\text{C} \sim +70^\circ\text{C}$		●	●	●	●	●
D: $-30^\circ\text{C} \sim +75^\circ\text{C}$		●	●	●	●	●
G: $-40^\circ\text{C} \sim +85^\circ\text{C}$		●	●	●	●	●

RTCXO-TC53 Series-w

Specifications may be subject to change

10/11/06

WORLD HQ: 1702H Meridian Ave. Suite 127, San Jose, Ca 95125, U.S.A.

Telephone: (408) 266-7404 FAX: (408) 266-4483

WEB: www.raditek.com, E-mail: sales@raditek.com

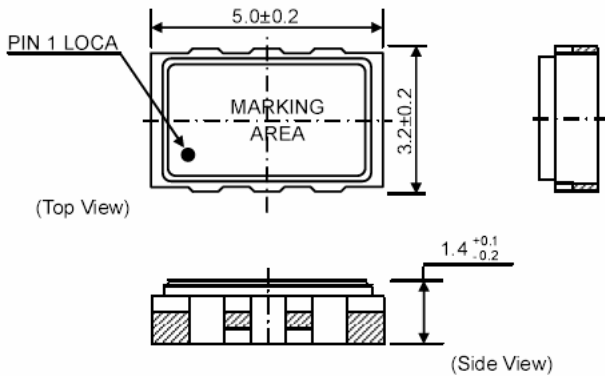
RADITEK INC.

TEMPERATURE COMPENSATED CRYSTAL OSCILLATORS

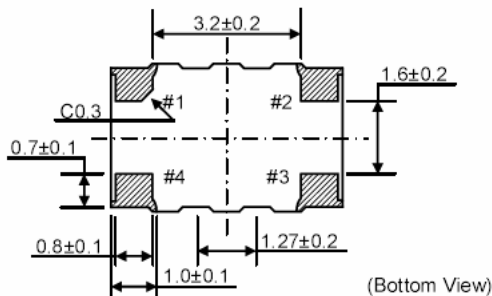
code-w

RTCXO-TC53 SERIES

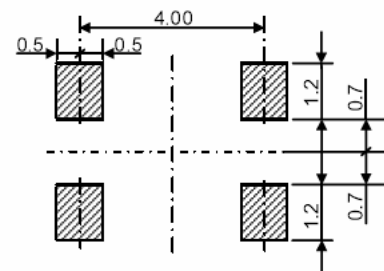
OUTLINE DRAWING (units in mm – not to scale)



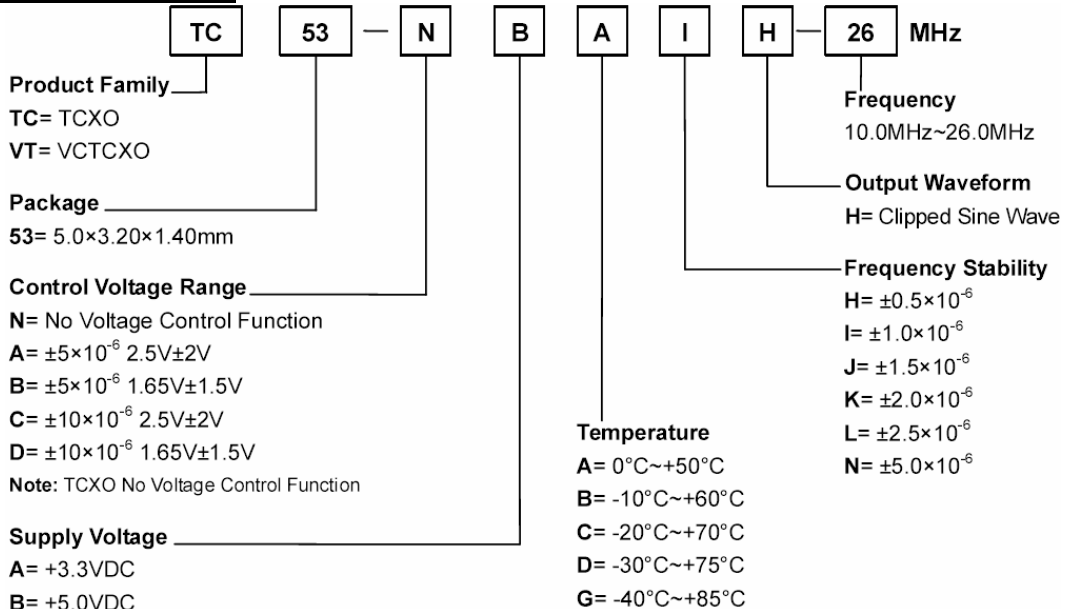
PAD NO.	CONNECTION
#1	VCON VCTCXO GND TCXO
#2	GND
#3	OUTPUT
#4	+DC



Recommended land pattern



ORDERING INFORMATION



ORDERING EXAMPLE

TC53-NBAIH-26MHz
 TCXO / No Voltage Control Function / +5.0VDC / 0°C~+50°C / $\pm 1.0 \times 10^{-6}$ / Clipped Sine Wave / 26MHz
 VT53-ABAIH-26MHz
 VCTCXO / ± 5 PPM 2.5V±2V / +5.0VDC / 0°C~+50°C / $\pm 1.0 \times 10^{-6}$ / Clipped Sine Wave / 26MHz

RTCXO-TC53 Series-w

Specifications may be subject to change

10/11/06

WORLD HQ: 1702H Meridian Ave. Suite 127, San Jose, Ca 95125, U.S.A.

Telephone: (408) 266-7404 FAX: (408) 266-4483

WEB: www.raditek.com, E-mail: sales@raditek.com