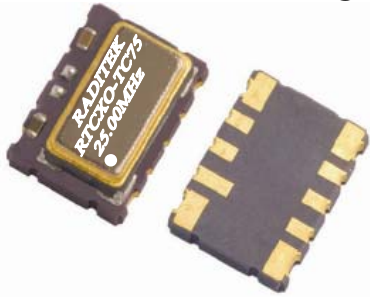


# RADITEK INC.

## TEMPERATURE COMPENSATED CRYSTAL OSCILLATORS

code-w



### RTCXO-TC75 SERIES

- Stability up to  $\pm 0.5 \times 10^{-6}$
- Control Voltage Range  $\pm 10 \times 10^{-6}$  Max
- Clipped Sine Wave Output
- Ultra-Miniature Package
- Tape and Reel
- Mobile Phone

### Performance Characteristics

Parameter		Condition	TC75	
Frequency Range	$F_0$		10.000MHz~36.000MHz	
Standard Nominal Frequency (MHz)			12.8	13 14.4 19.2 19.68 19.8 26
Frequency Stability		All Condition	See Next Table	
Operating Temperature Range	$T_{OPR}$		See Next Table	
Supply Voltage	$V_{DD}$		B: +5.0VDC $\pm 10\%$	A: +3.3VDC $\pm 10\%$
Supply Current	$I_{DD}$	$10M \leq F_0 < 15M$	1.5mA Max	
		$15M \leq F_0 < 26M$	2.0mA Max	
		$26M \leq F_0 < 36M$	2.5mA Max	
Output Load			H: Clipped Sine Wave	
Output Level			0.8V (peak to peak) Min	
Load			10K $\Omega$ /10pF $\pm 10\%$	
Control Voltage Range			See Ordering Information	
Frequency Stability	Supply Voltage change	$\pm 5\%$	$\pm 0.2 \times 10^{-6}$	
	Load change	$\pm 10\%$	$\pm 0.2 \times 10^{-6}$	
	Aging		$\pm 1 \times 10^{-6}$ /year	
Vc Input Impedance			1.0M $\Omega$	
Start-Up Time	$T_s$		2mS Max	
Storage Temperature Range	$T_{STG}$		$-55^\circ\text{C} \sim +125^\circ\text{C}$	

### Frequency Stability Over Temperature Range

Temperature Range	Frequency Stability					
	H: $\pm 0.5 \times 10^{-6}$	I: $\pm 1.0 \times 10^{-6}$	J: $\pm 1.5 \times 10^{-6}$	K: $\pm 2.0 \times 10^{-6}$	L: $\pm 2.5 \times 10^{-6}$	N: $\pm 5.0 \times 10^{-6}$
A: $0^\circ\text{C} \sim +50^\circ\text{C}$	●	●	●	●	●	●
B: $-10^\circ\text{C} \sim +60^\circ\text{C}$	●	●	●	●	●	●
C: $-20^\circ\text{C} \sim +70^\circ\text{C}$		●	●	●	●	●
D: $-30^\circ\text{C} \sim +75^\circ\text{C}$		●	●	●	●	●
G: $-40^\circ\text{C} \sim +85^\circ\text{C}$		●	●	●	●	●

RTCXO-TC75 Series-w

Specifications may be subject to change

10/11/06

WORLD HQ: 1702H Meridian Ave. Suite 127, San Jose, Ca 95125, U.S.A.

Telephone: (408) 266-7404 FAX: (408) 266-4483

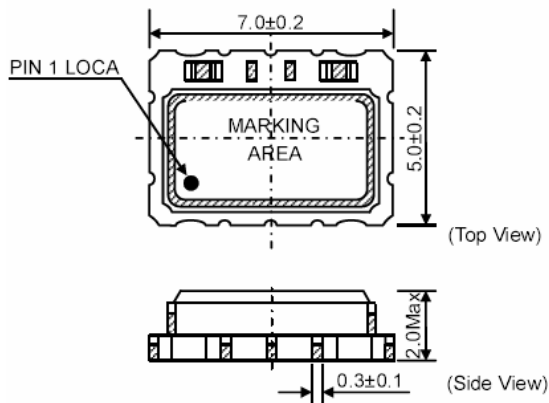
WEB: [www.raditek.com](http://www.raditek.com), E-mail: [sales@raditek.com](mailto:sales@raditek.com)

# RADITEK INC.

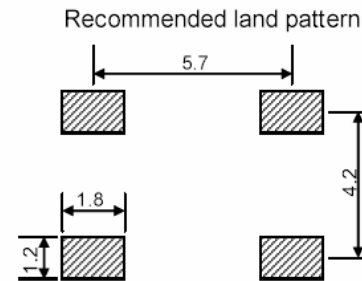
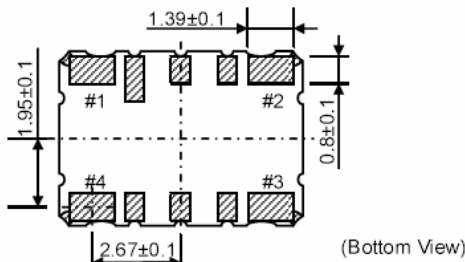
## TEMPERATURE COMPENSATED CRYSTAL OSCILLATORS

code-w

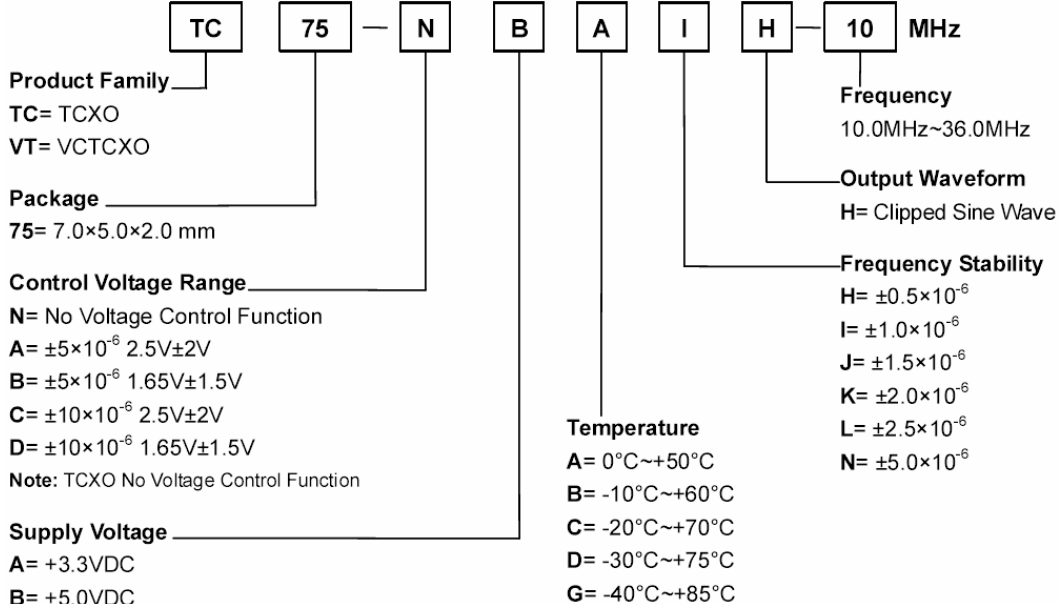
### RTCXO-TC75 SERIES



PAD NO.	CONNECTION
#1	VCON VCTCXO GND TCXO
#2	GND
#3	OUTPUT
#4	+DC



### ORDERING INFORMATION



### ORDERING EXAMPLE

TC75-NBAIH-10MHz

TCXO / No Voltage Control Function / +5.0VDC / 0°C~+50°C / ±1.0×10<sup>-6</sup> / Clipped Sine Wave / 10MHz

VT75-ABAIH-10MHz

VCTCXO / ±5PPM 2.5V±2V / +5.0VDC / 0°C~+50°C / ±1.0×10<sup>-6</sup> / Clipped Sine Wave / 10MHz

RTCXO-TC75 Series-w

Specifications may be subject to change

10/11/06

WORLD HQ: 1702H Meridian Ave. Suite 127, San Jose, Ca 95125, U.S.A.

Telephone: (408) 266-7404 FAX: (408) 266-4483

WEB: [www.raditek.com](http://www.raditek.com), E-mail: [sales@raditek.com](mailto:sales@raditek.com)