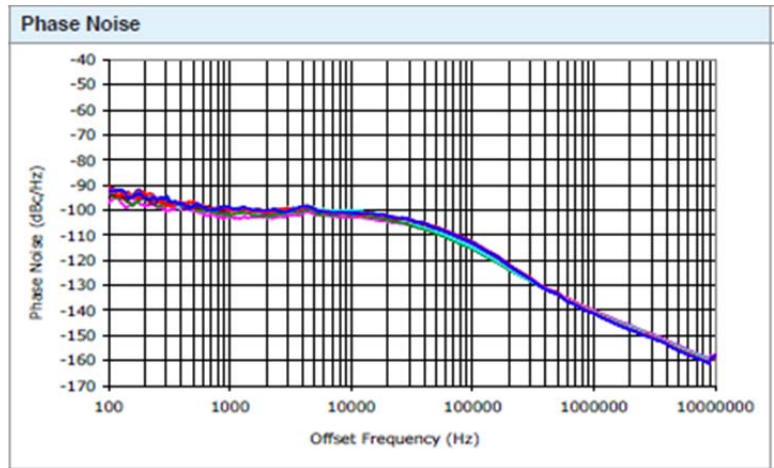


Synthesizer, 1470 MHz

SMA Connectors, 5dBm Output Power, External Reference 10 MHz

FEATURES:

- ▶ Exceptionally Low Phase Noise
- ▶ No Programming Required
- ▶ Lead Free - RoHS Compliant



Order Examples: RSYNTH-1470M-Sf-5dBm-ER10M-j14

Description: (Synthesizer, 1470 MHz, SMA Female Connectors, 5 dBm Power Output, External Reference 10 MHz)

SPECIFICATIONS

Frequency	1470 MHz		
Reference Input Frequency	10 MHz		
Reference Input Voltage	1.0 V p-p to 3.3 V p-p		
Bias Voltage	Vcc	V (Vdc)	I (mA Max.)
	Digital	+5	15
	Tune	+12	10
	VCO	+5	55
Lock Detect Indicator	CMOS 3.3 V		
Output Power	+5 dBm (Min.)		
Spurious Suppression	82 dB (Typ.)		
Harmonic Suppression	15 dB (Typ.)		
Power Up Time	90 mSec (Typ.) ¹		
Output Impedance	50 Ohms (Nom.)		

Typical Phase Noise	Offset	Phase Noise
	@ 10 kHz	-101 dBc/Hz
@ 100 kHz	-112 dBc/Hz	

Operating Temperature Range	-40 to +85 °C
-----------------------------	---------------

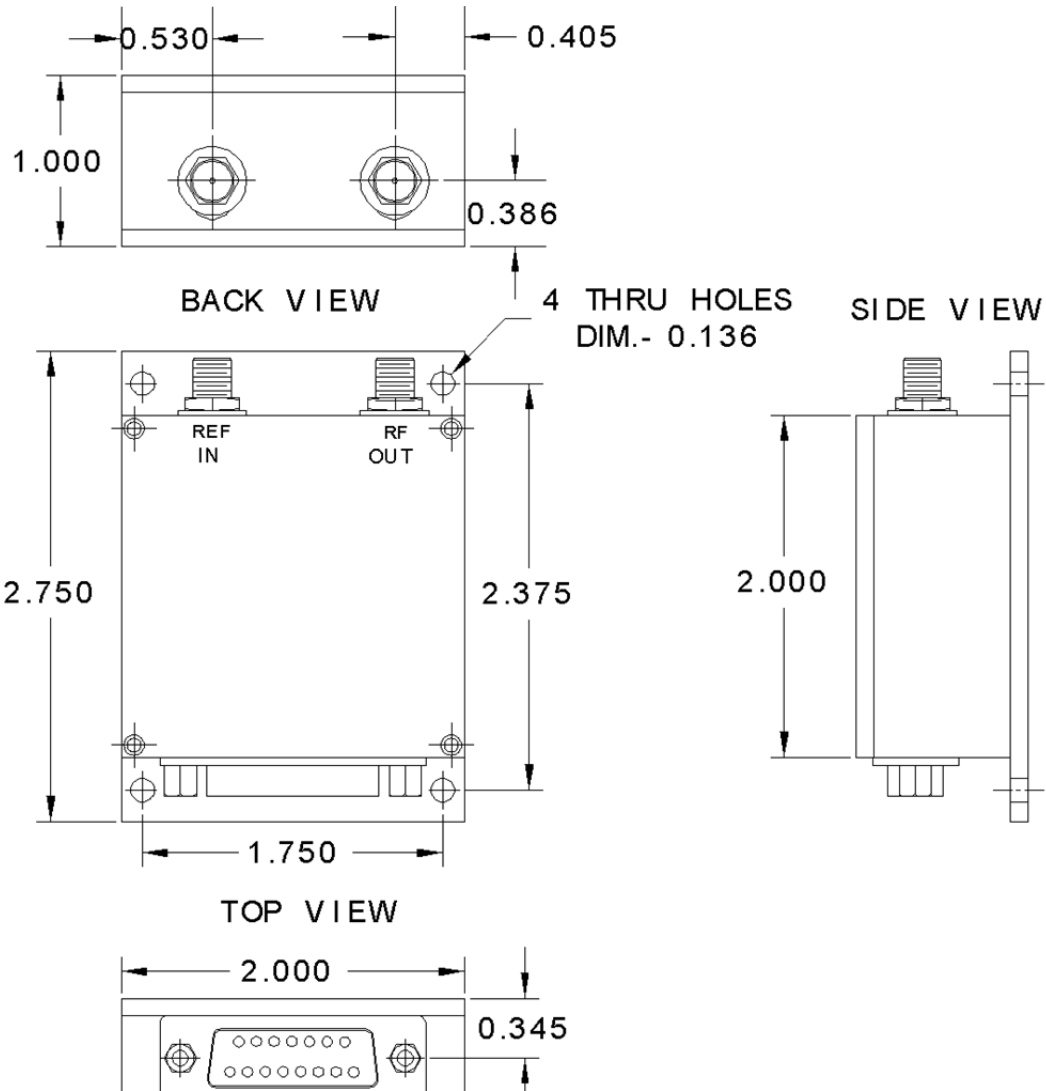
¹ From stable power on to stable lock detect.

Absolute Maximum Ratings

Storage Temp. Range	-55 to +125 °C
Bias Voltage (Digital)	+5.25 V
Bias Voltage (Tune)	+16 V
Bias Voltage (VCO)	+5.5 V
DC Voltage Applied to RF Out	± 25 V

Synthesizer, 1470 MHz

SMA Connectors, 5dBm Output Power, External Reference 10 MHz



Port Configuration

Pin 1 - VCC1 (Digital)	Pin 5 - NC	Pin 9 - VCC3 (VCO)	Pin 13 - D2
Pin 2 - VCC2 (Vtune)	Pin 6 - NC	Pin 10 - Ground	Pin 14 - D3
Pin 3 - NC	Pin 7 - NC	Pin 11 - D0	Pin 15 - Ground
Pin 4 - NC	Pin 8 - Lock Detect	Pin 12 - D1	