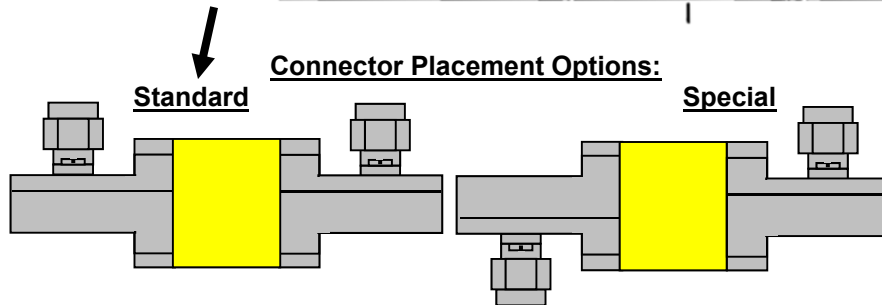
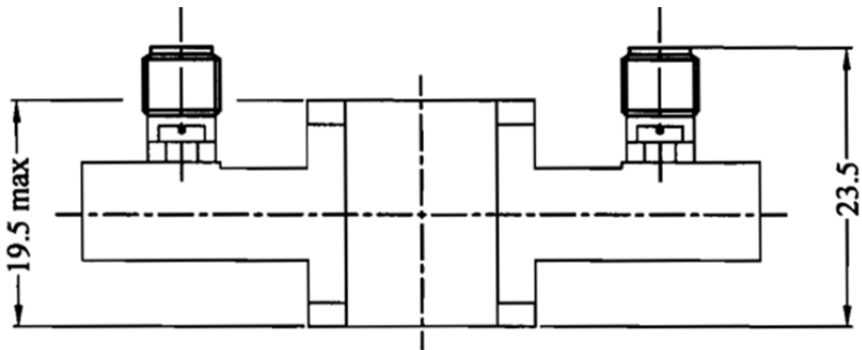
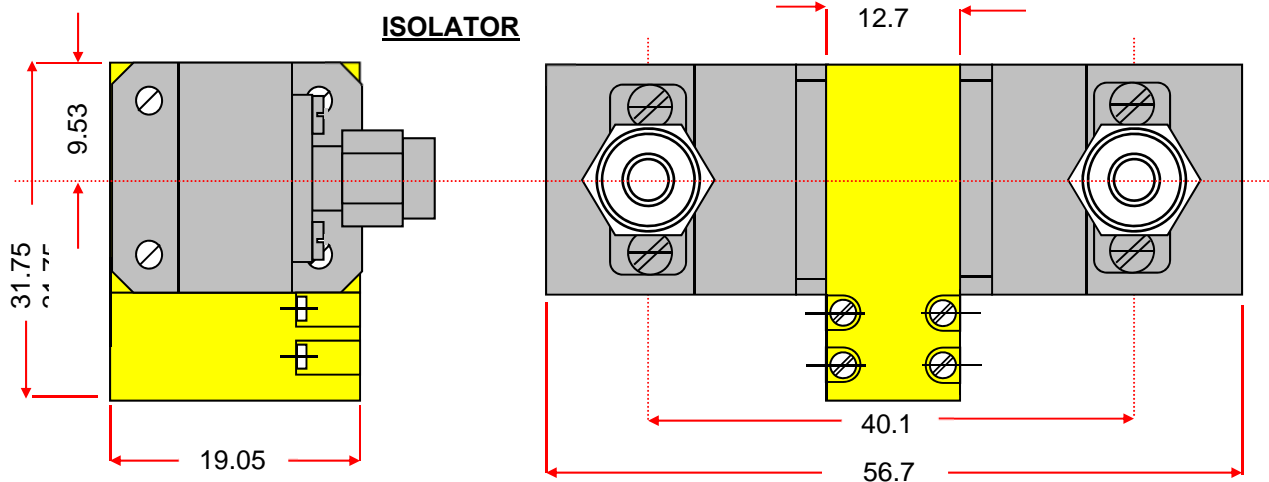


Coaxial Isolator and Circulator, 26.5-40 GHz, Full Band K(2.9) or 2.4 Connector, 1 Watt



Units: mm
Not to scale

Coaxial Isolator and Circulator, 26.5-40 GHz, Full Band K(2.9) or 2.4 Connector, 1 Watt

Direction of RF:	
R	Default
L	

Order Examples: **RADI-26.5-40.0M-K3-WG-1WR**
I=ISOLATOR

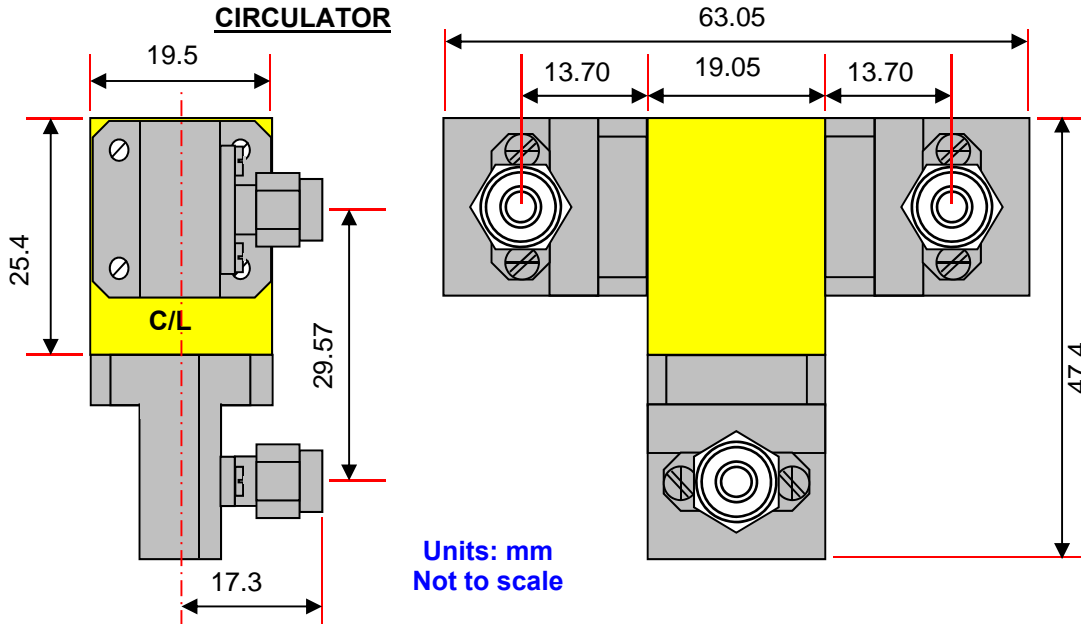
K(2.9) & 2.4 Connector options (X)				
Isolator			Circulator	
Port 1	Port 2		Port 3 Male	Port 3 Female
Female	Male	-1	-11	-21
Male	Female	-2	-12	-22
Female	Female	-3	-13	-23
Male	Male	-4	-14	-24

Specifications	Full Band	Full Band	Units
Frequency	26.5-40.0	26.5-40.0	GHz
Insertion Loss	1.5	1.4	dB
Isolation	17	17	dB
VSWR	1.55	1.6	:1
Power (forward)	1/2	3	Watts
Power (reverse)	0.5/1	2	Watts
Operating Temp.	+15 to +35	+15 to +35	°C

Additional Isolator and Circulator Specifications (Narrow Band)

Specifications: Frequency GHz	Insertion loss dB (max)	Isolation dB (min)	VSWR :1	Power Fwd Watts	Power Rev Watts	Temp °C	Connector
22-23	1.4	15	1.60	1	1	+15 to +35	K
27-32	0.9	18	1.4	2	1	+15 to +35	K
27-34 (C)	1.3	17	1.50	1	1	-30 to +65	K
27-34 (I)	1.2	18	1.45	2	1	+15 to +35	K
30-35	1.1	18	1.50	1	1	-30 to +65	K
32-36 (I)	1.2	20	1.55	1	0.5	-30 to +65	K
32-36 (C)	1.2	20	1.50	10	10	-30 to +65	K
32-38	1.2	20	1.55	1	0.5	-30 to +65	K
35.5-40.0	1.1	18	1.50	1	1	-30 to +65	K

Coaxial Isolator and Circulator, 26.5-40 GHz, Full Band K(2.9) or 2.4 Connector, 1 Watt



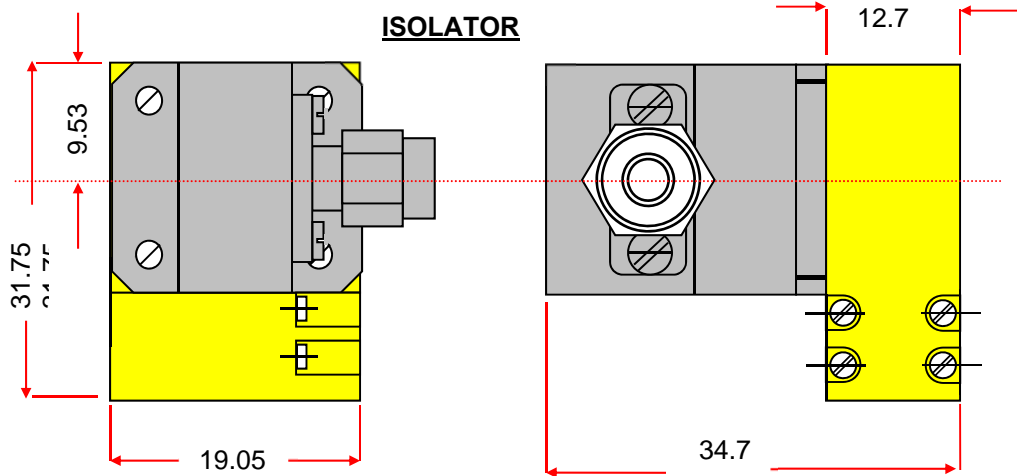
Direction of RF:	
R	Default ▶
L	◀

Order Examples: RAD**C**-26.5-40.0M-K23-WG-1WR
C=CIRCULATOR

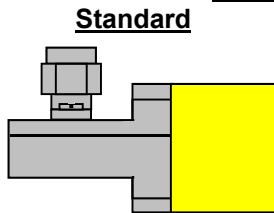
K(2.9) & 2.4 Connector options (X)				
Isolator			Circulator	
Port 1	Port 2		Port 3 Male	Port 3 Female
Female	Male	-1	-11	-21
Male	Female	-2	-12	-22
Female	Female	-3	-13	-23
Male	Male	-4	-14	-24

Specifications	Full Band	Units
Frequency	26.5-40.0	GHz
Insertion Loss	1.6	dB
Isolation	16	dB
VSWR	1.65	:1
Power (forward)	½	Watts
Power (reverse)	1	Watts
Operating Temp.	+15 to +35	°C

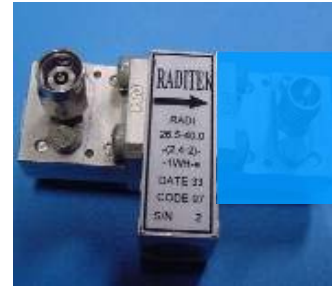
Coaxial Isolator and Circulator, 26.5-40 GHz, Full Band K(2.9) or 2.4 Connector, 1 Watt



Connector Placement Options:



Units: mm
Not to scale



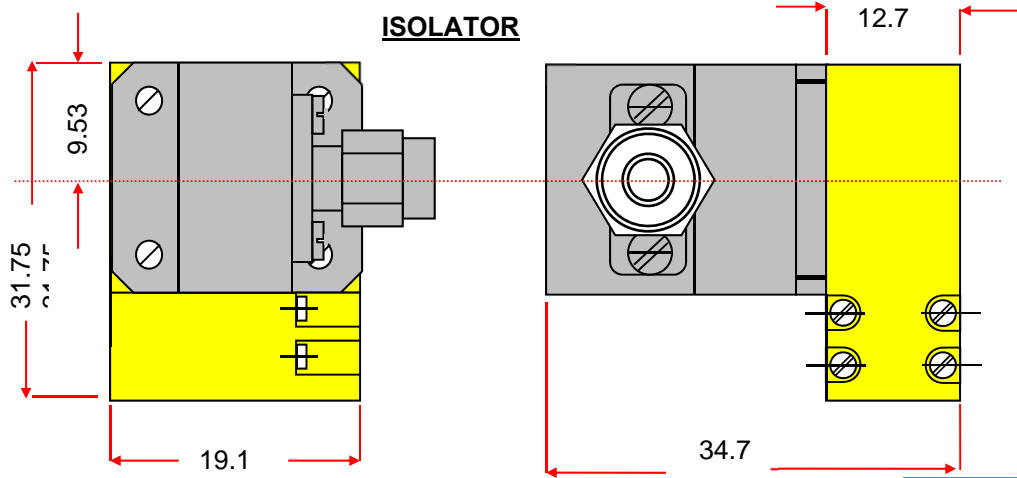
Direction of RF:	
R	Default ▶
L	◀

K(2.9) & 2.4 Connector options (X)				
Isolator			Circulator	
Port 1	Port 2		Port 3 Male	Port 3 Female
Female	Male	-1	-11	-21
Male	Female	-2	-12	-22
Female	Female	-3	-13	-23
Male	Male	-4	-14	-24

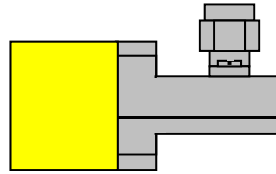
Order Examples: **RADI-26.5-40.0M-K3-WR28-1WR**
I=ISOLATOR

Specifications	Full Band	Units
Frequency	26.5-40.0	GHz
Insertion Loss	1.2	dB
Isolation	17	dB
VSWR	1.55	:1
Power (forward)	½	Watts
Power (reverse)	0.5/1	Watts
Operating Temp.	+15 to +35	°C

Coaxial Isolator and Circulator, 26.5-40 GHz, Full Band K(2.9) or 2.4 Connector, 1 Watt



Connector Placement Options:



Direction of RF:	
R	Default ▶
L	◀

Order Examples: **RADI-26.5-40.0M-2.4(3)-WR28-1WR**
I=ISOLATOR

K(2.9) & 2.4 Connector options (X)				
Isolator			Circulator	
Port 1	Port 2		Port 3 Male	Port 3 Female
Female	Male	-1	-11	-21
Male	Female	-2	-12	-22
Female	Female	-3	-13	-23
Male	Male	-4	-14	-24

Specifications	Full Band		Units
Frequency	26.5-40.0		GHz
Insertion Loss	0.5dB max	0.3dB typ	
VSWR	1.35:1 max.	1.25:1 typ.	
Waveguide / Flange	WR28/ UG599/u		
Coaxial Connector	2.4mm female		
Material of housing	Brass		
Finish	silvering		