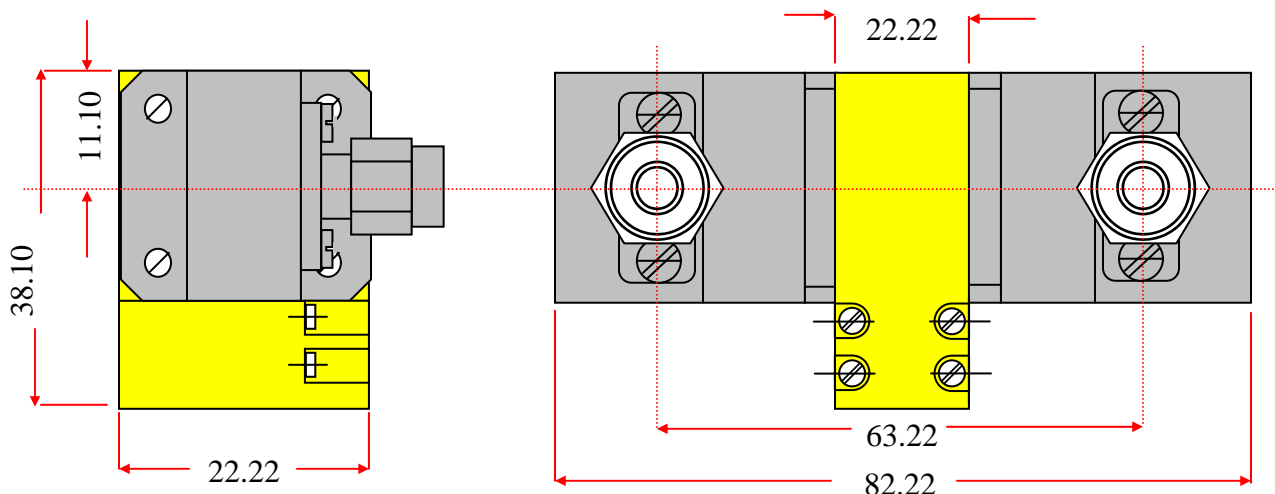
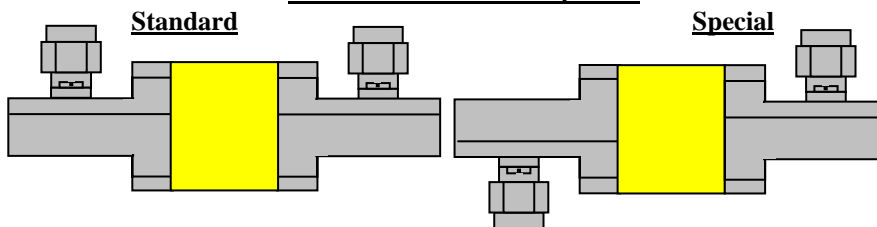


Coaxial Isolator, 18-26.5GHz, Full Band K(2.9) or 2.4mm Connector, 1 Watt RADI-18-26.5-K3-WG-1WR



Connector Placement Options:



Direction of RF:	
R	Default
L	

Units: mm
Not to scale

Order Examples: RADI-18-26.5-K3-WG-1WR
I=ISOLATOR

K(2.9) & 2.4 Connector options (X)				
Isolator			Circulator	
Port 1	Port 2		Port 3 Male	Port 3 Female
Female	Male	-1	-11	-21
Male	Female	-2	-12	-22
Female	Female	-3	-13	-23
Male	Male	-4	-14	-24

Specifications		Units
Frequency	18-26.5	GHz
Insertion Loss	1.2	dB
Isolation	18	dB
VSWR	1.55	:1
Power (forward)	1	Watts
Power (reverse)	0.5/1	Watts
Operating Temp.	+15 to +35	°C