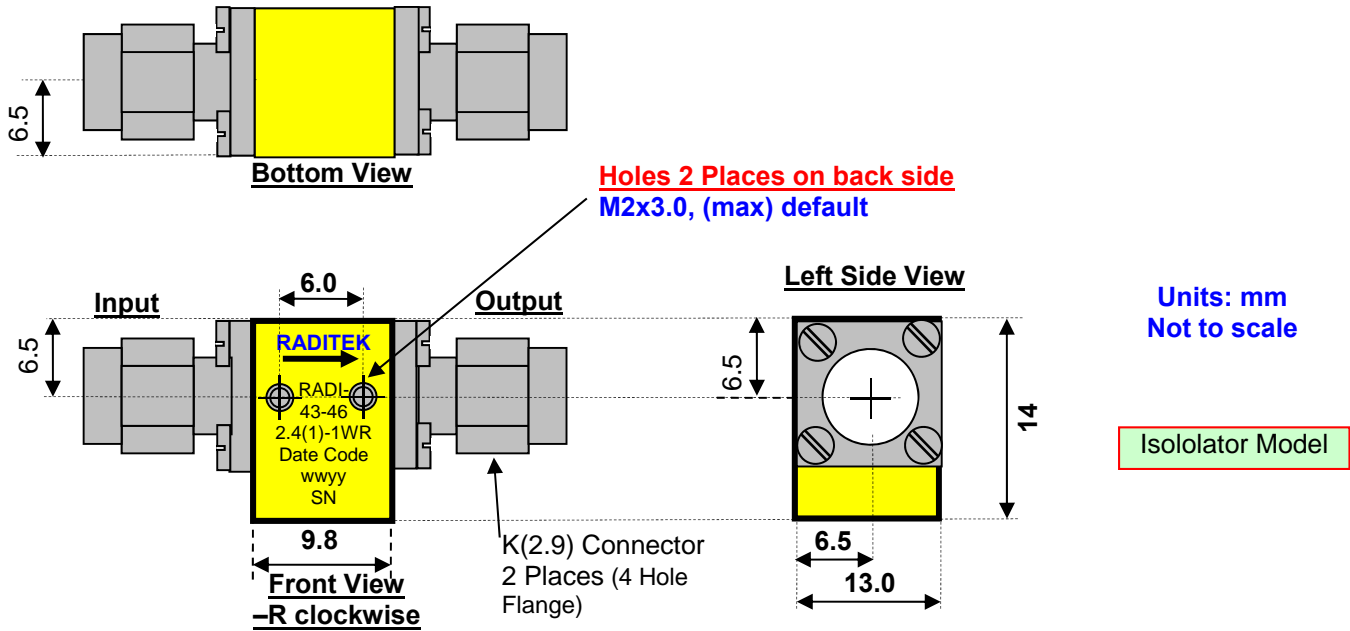


## Coaxial Isolator, 43-46GHz, Full Band, 2.4mm Type Connectors, 1Watt



Direction of RF:	
R	Default ▶
L	◀

Order Examples: **RADI-43-46-2.4(1)-1WR**  
**I=ISOLATOR**

2.4mm Type Connector options (X)		
Isolator		
Port 1	Port 2	
Female	Male	-1
Male	Female	-2
Female	Female	-3
Male	Male	-4

### Specifications:

Frequency GHz	Insertion loss dB (max)	Isolation dB (min)	VSWR :1	Reverse Power Watts	Forward Power Watts	Operating Temp °C	Connector
43-46	2.2	20	1.50	1	1	-30 to +60	2.4mm
44-46	2.0	20	1.45	1	1	-10 to +50	2.4mm