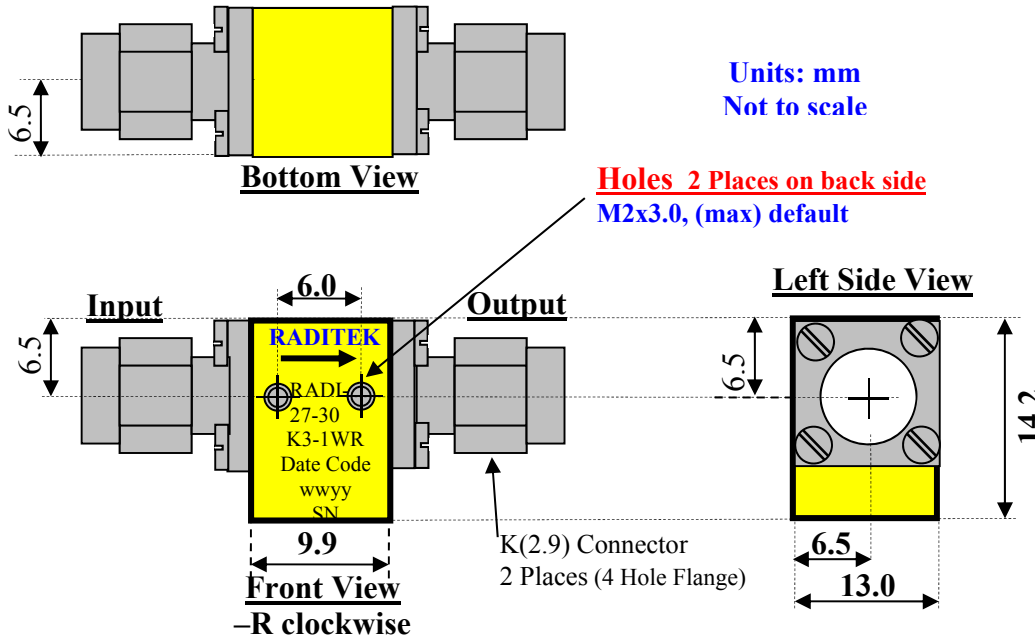
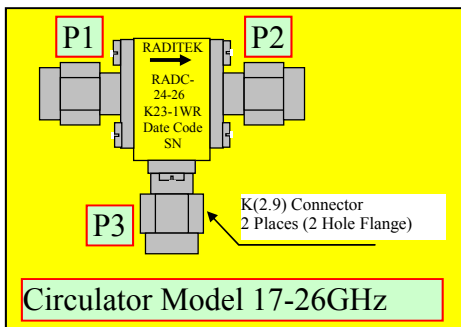


Coaxial Isolator, 17-40 GHz, Split Bands
Coaxial Circulator, 17-26 GHz, Split Bands
K(2.9) or 2.4 Connector, 1-2 Watts



Isolator Model



Order Examples:

RADI-27-30-K2-1WR-b

I=ISOLATOR

C CIRCULATOR

Direction of RF:

R	Default	▶
L		◀

2.9 /K Connector options (X)				
Isolator		Circulator		
Port 1	Port 2		Port 3 Male	Port 3 Female
Female	Male	-1	-11	-21
Male	Female	-2	-12	-22
Female	Female	-3	-13	-23
Male	Male	-4	-14	-24

Specifications:						Units
Frequency	17-27	17-27	27-34	34-40	34-40	GHz
Bandwidth	2%	10%	10%	5%	10%	%
Connector	K	K	K	K	K	
Insertion loss	0.9	1.1	1.1	1.2	1.3	dB
Isolation	22	20	20	20	20	dB
VSWR	1.35:1	1.35:1	1.35:1	1.40:1	1.45:1	
Power handling Forward	2	2	2	2	2	Watt
Power handling Reverse	2	2	2	2	2	Watt
Temperature range	-30 to +60	-30 to +65	-30 to +65	-30 to +65	-30 to +65	°C

Coaxial Isolator, 17-40 GHz, Split Bands Coaxial Circulator, 17-26 GHz, Split Bands K(2.9) or 2.4 Connector, 1-2 Watts

Specifications: Frequency GHz	Bandwidth %	Insertion loss dB (max)	Isolation dB (min)	VSWR :1	Power Fwd Watts	Power Rev Watts	Temp °C	Connector	comment
22.5-23.5		1.1	20	1.35	2	1	-30 to +70	K	
25-27.5	9.5	1.1	20	1.35	1	1	-30 to +70	K	
26.5-31	15.65	1.5	18	1.40	2	2	0 to +50	K	No Out gassing
27-30	10.5*	1.1	20	1.35	1	1	-30 to +65	K	
27-30	13.8*	1.2	20	(16.6) 1.35	1	1	-30 to +70	K	
27.0-31.0	13.8	1.5 1.2	20 20	(16.6) 1.35 (20) 1.22	1	1	-10 to +60 20 to +30	K	p
27.0-31.0	13.8	1.5 1.2	20 20	(16.6) 1.35 (20) 1.22	2	2	-10 to +60 20 to +30	K	-65dbc RFI
27.0-31.5	15.4	1.5 1.3	20 20	1.35 1.3	2	2	-10 to +60 20 to +30	K	-65dbc RFI
29-31	6.7*	1.3	20	1.35	2	1	-40 to +70	K	2-16-09 so 8695
29-32	9.84	1.2	20	1.35	1	1	-30 to +70	K	p
29.75-31.25	6.62*	1.1 1.0	20 23	1.35 1.30	1	1	-30 to +85 +15 to +35	K	
30-33	10.5*	1.1	22	1.35	1	1	-30 to +70	K	
32-36	11.8*	1.2	18	1.35	10	1	-10 to +50	K	
34-36	5.7*	1.2 1.5	20 18	1.3 1.4	2	1	room -30 to +70	K	circulator
34-38	11.11*	1.5	20	1.35	1	1	-10 to +70		b, Isolator
35.5-36.0	1.4	1.2	20	1.0	2	1	-30 to +70	K	b, Iso
35.5-38.5	8.11	1.3 1.5	20 19	1.35 1.40	1	1	room -30 to +70	K	b, Iso

*Denotes Special >5% Bandwidth

Specifications: Frequency GHz	Bandwidth %	Insertion loss dB (max)	Isolation dB (min)	VSWR :1	Power Fwd Watts	Power Rev Watts	Temp °C	Connector	
17.5-22.5	25	1.5 1.2	20 20	(16.6) 1.35 (20) 1.22	2	2	-10 to +60 20 to +30	K	-65dbc RFI
17.8-22	21.1*	1.2	20	1.35	2	1	-30 to +70	K	
18-21.2	16.3*	1.2	20	1.35	2	1	-30 to +70	K	
18-22	20.0*	1.2	20	1.35	2	1	-30 to +70	K	

Coaxial Isolator, 17-40 GHz, Split Bands Coaxial Circulator, 17-26 GHz, Split Bands K(2.9) or 2.4 Connector, 1-2 Watts

Specifications: Frequency GHz	Bandwidth %	Insertion loss dB (max)	Isolation dB (min)	VSWR :1	Power Fwd Watts	Power Rev Watts	Temp °C	Conne ctor	
18-22	20	1.5 1.2	20 20	(16.6) 1.35 (20) 1.22	2	2	-10 to +60 20 to +30	K	Aw b
18.97-21.03	10.3*	1.1	20	1.35	2	2	-30 to +65	K	
19.35-19.95	3.1	0.9	23	1.30	2	1	-30 to +70	K	
19.48-20.52	5.2	0.9	22	1.30	2	2	-30 to +65	K	
19.97-22.03	9.8*	1.1	20	1.35	2	2	-30 to +70	K	
20-21	4.9	0.9	23	1.30	2	1	-30 to +70	K/2.4	
20.2-21.2	4.8	0.8	22	1.30	2	1	-30 to +70	K/2.4	
20.48-21.52	5.0	0.9	22	1.30	2	2	-30 to +70	K	
20.5-21.5	4.8	1.1	20	1.35	2	1	-40 to +70	K	
20.6-21.2	2.9	0.8	22	1.25	2	1	-30 to +70	K	
23.0-26.4	13.8*	1.1	20	1.35	2	1	-30 to +65	K	
24.0-24.2	0.83	0.9	20	1.30	2	2	-30 to +65	K	
24.5-27.1	10.1*	1.2	20	1.45	2	2	-30 to +70	2.4	
24-27	11.8*	1.1	20	1.40	2	1	-30 to +70	K	
24.5-27.5	11.5*	1.1	20	1.35	1	1	-30 to +65	K	
24.5-27.5	11.5*	1.3	19	1.48	2	2	-30 to +70	K	
24.75-25.25	2.0	0.9	22	1.30	2	1	-30 to +70	K	
25-27	7.7*	1.3	19	1.48	2	2	-30 to +70	K	
25-27.5	9.5*	1.2	20	1.45	2	1	-30 to +70	K	
25.3-25.5	0.79	0.8	20	1.30	4	2	-20 to +55	K	
25.5-27.5	7.55*	1.1	20	1.35	2	1		K	p
25.74-26.26	2.0	1.3	20	1.35	2	1	-30 to +60	K	b
26-27	3.8	1.1	20	1.35	2	1	-30 to +65	K	
26-30	14.3*	1.3	18	1.45	2	1	-30 to +70	K	
26.5-31.0	7.03	1.4	18	1.4	2	1	-30 to +70	K	
27-31	13.8*	1.2	20	1.45	4	2	-30 to +70	K	
27.1-29.9	9.8*	1.2	19	1.45	2	1	-30 to +70	K	
27.3-28.3	3.6	1.0	20	1.35	1	1	-30 to +65	K	p
27.5-28.5	3.6	1.0	20	1.35	1	1	-30 to +65	K	
27.5-31.0	12.0*	1.1	20	1.45	1	1	-30 to +65	K	
27.5-31.5	13.56*	1.0	18	1.35	2	1	-30 to +70	K	
27.85-30.15	7.9*	1.1	20	1.35	2	1	-30 to +65	K	e
28.0-29.5	5.22	1.1	22	1.35	1	1	-30 to +70	K	

Coaxial Isolator, 17-40 GHz, Split Bands Coaxial Circulator, 17-26 GHz, Split Bands K(2.9) or 2.4 Connector, 1-2 Watts

Specifications: Frequency GHz	Bandwidth %	Insertion loss dB (max)	Isolation dB (min)	VSWR :1	Power Fwd Watts	Power Rev Watts	Temp °C	Conne ctor	
28-30	6.9*	1.1	20	1.35	2	1	-35 to +85	K/2.9	
28-31	10.2*	1.0	20	1.35	1	1	-30 to +65	K	
28.18-31.5	11.13*	1.2	20	1.35	1	0.5	0 to +50	K	Survival temp. - 30 to +60°C
28.35-28.95	2.1	0.9	23	1.30	2	1	-30 to +70	K	
28.5-31.5	10.0*	1.1	20	1.35	2	2	-30 to +65	K	
29-32		1.2	20	1.35	1	1	-30 to +70	K	
29.25-30.75	5.0	1.1	22	1.35	2	2	-30 to +65	K	
29.5-30.5	3.3	1.1	20	1.35	2	1	-40 to +70	K	
29.6-30.2	2.0	0.9	23	1.30	2	1	-30 to +70	K	
29.9-33.1	10.2*	1.2	19	1.45	2	1	-30 to +70	K	
30.5-31	1.62	0.8 0.9	23 21	1.20 1.25	1	1	15 to +35 -35 to +85	K	2-10-09
30-32	6.45*	1.4	20	1.30	2	1	-30 to +70	K	b
30-34	12.5*	1.1	18	1.35	2	1	-10 to +50	K	
31-33	6.3*	1.2	20	1.35	1	1	-30 to +70	K	E 11/17/08
31-33	6.3*	1.2	20	1.35	2	2	-30 to +70	K	
31-34	9.23*	1.1	18	1.35	10	1	-10 to +50	K	P
31.5-33.0	4.7	1.1	20	1.35	2	2	-30 to +70	K	
32-35		1.2	20	1.35	2	2	-30 to +70	K	P
32-35		1.2	20	1.35	1	1	-10 to +60	K	P
32-35		1.5	17	1.85	1	1	-55 to +85	K	P
33-35	5.88*	1.1	18	1.35	10	2	-10 to +50	K	P
34-36	5.7*	1.2	20	1.40	1	1	-30 to +70	K	
34-35	2.9	1.2	18	1.45	2	1	-30 to +70	K	P
34.5-35.5	2.86	1.2	18	1.45	2	1	-30 to +70	K	
34.5-35.5	2.86	1.2	20	1.40	10	2	-30 to +65	K	
35.3-36.2	2.5	1.2	18	1.45	2	1	-30 to +70	K	
36.15-36.35	0.6	1.0	20	1.25	1	1	-20 to +55	K	
37-40	7.8*	1.3	18	1.45	2	2	-30 to +70	K	
39-41	5.0	1.6	18	1.50	1	1	-30 to +65	2.4	
38-38.5		1.3	20	1.35	1	1	-10 to +50	K	8x14x13
39-41		1.6	20	1.5	1	1	-10 to +50	K	8x14x13

Coaxial Isolator, 17-40 GHz, Split Bands
 Coaxial Circulator, 17-26 GHz, Split Bands
 K(2.9) or 2.4 Connector, 1-2 Watts

Specifications: Frequency GHz	Bandwidth %	Insertion loss dB (max)	Isolation dB (min)	VSWR :1	Power Fwd Watts	Power Rev Watts	Temp °C	Conne ctor	
40-42	2	1.6	20	1.50	1	1	-10 to +60	K	8x14x13 19g