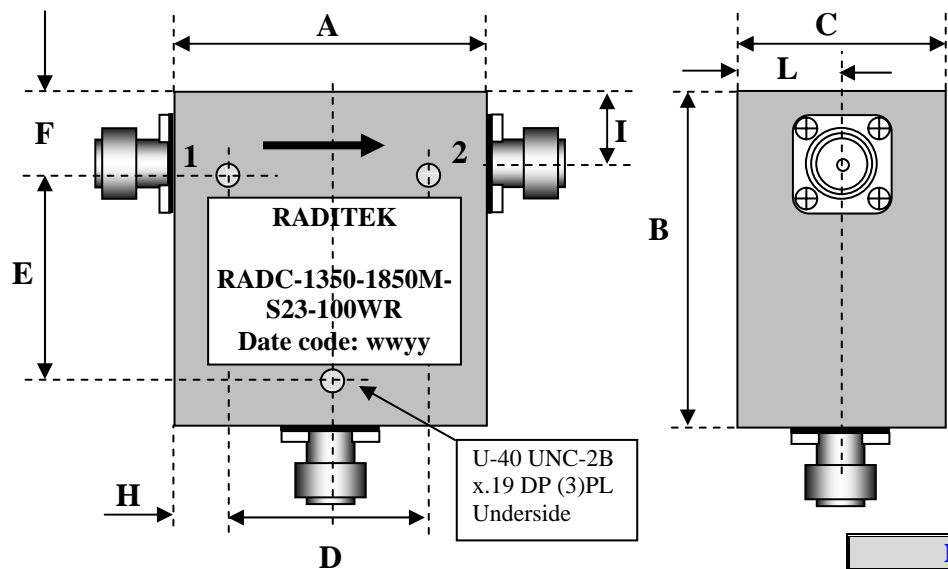
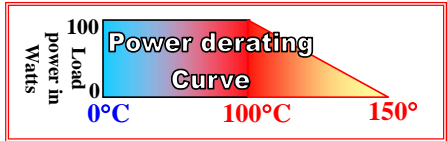


Coaxial Circulator, 1350-1850MHz SMA Connector, 100 Watts RADC-1350-1850M-S23-100WR



Tolerance (unless otherwise stated):
 X.XX ±0.04
 X.XXX ±0.004
 Machined surfaces 63√
 Flatness ±0.001/inch
 Bend radius 1/32 inch



Direction of RF:	
R	Default
L	

Units: mm
Not to scale

Order Examples: **RADC-1350-1850M-S23-100WR**
I=ISOLATOR / C=CIRCULATOR

N / SMA Connector options (X)				
Isolator			Circulator	
Port 1	Port 2		Port 3 Male	Port 3 Female
Female	Male	-1	-11	-21
Male	Female	-2	-12	-22
Female	Female	-3	-13	-23
Male	Male	-4	-14	-24

Size#	A	B	C	D	E	F	H	I	L	
1	35	35	12.7	tba	tba	tba	tba	tba	tba	mm
										mm

Size#	Specifications: Frequency MHz	Insertion loss dB (max)	Isolation dB (min)	VSWR :1	Power Fwd Watts	Power Rev Watts	Temp °C	Connector
1	1350-1850	0.8	15	1.50	100	100	-60 to +85	SMA