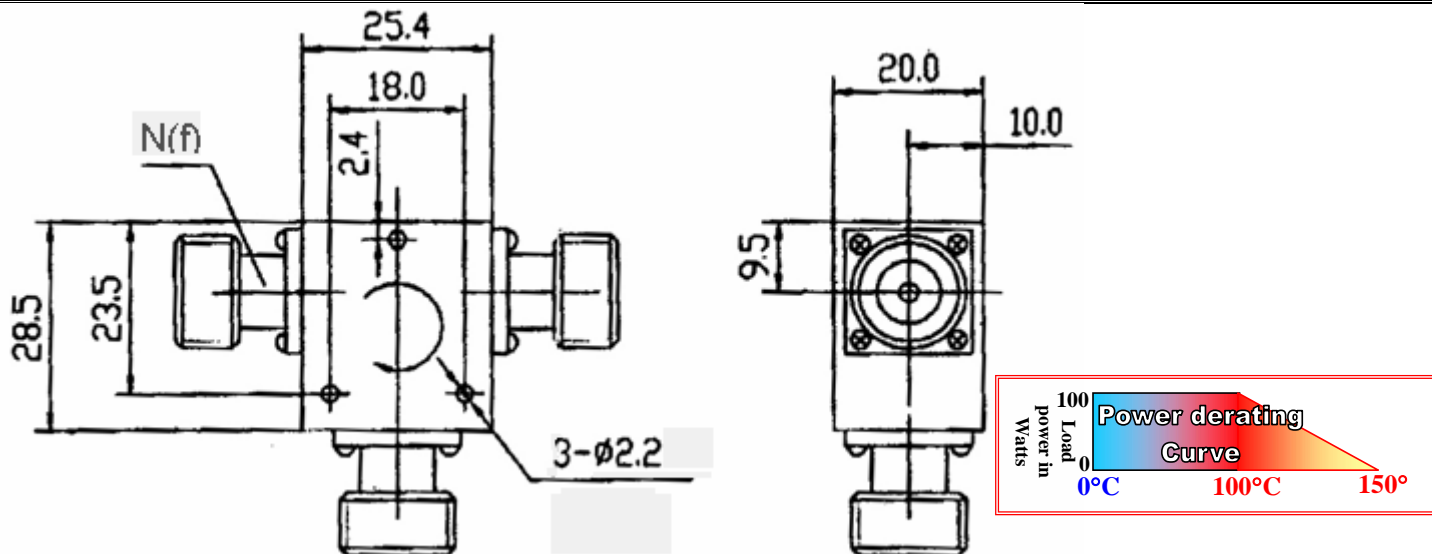


**Coaxial Circulator, 1500-2000MHz
N-Type Connector, 100 Watts
RADC-1500-2000M-N23-100WR**



Direction of RF:	
R	Default
L	

Units: mm
Not to scale

Order Examples: **RADC-1500-2000M-N23-100WR**
I=ISOLATOR / C=CIRCULATOR

N / SMA Connector options (X)				
Isolator			Circulator	
Port 1	Port 2		Port 3 Male	Port 3 Female
Female	Male	-1	-11	-21
Male	Female	-2	-12	-22
Female	Female	-3	-13	-23
Male	Male	-4	-14	-24

Specifications: Frequency MHz	Insertion loss dB (max)	Isolation dB (min)	VSWR :1	Avg Power Watts	Temp °C	Connector
1500-2000	0.6	18	1.30	100	-10 to +50	N-Type