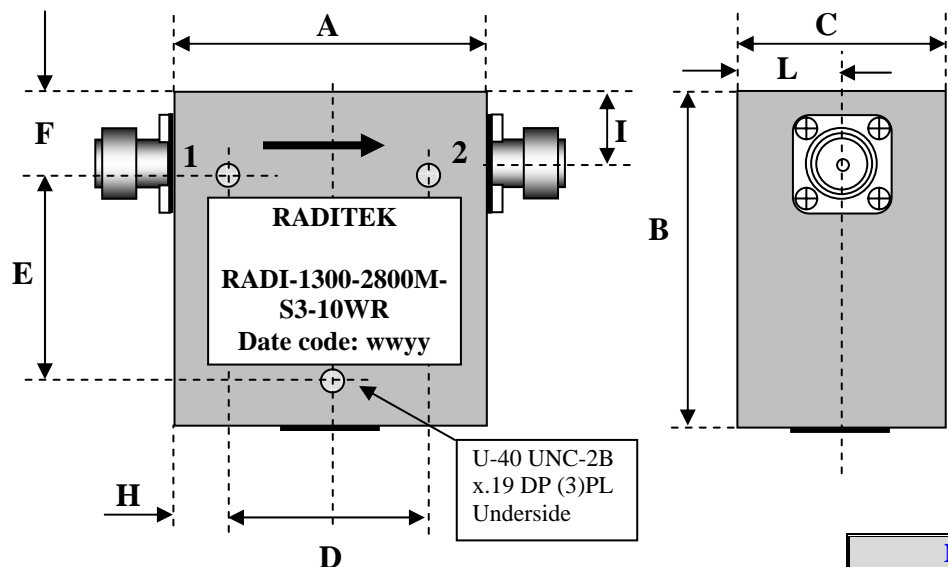
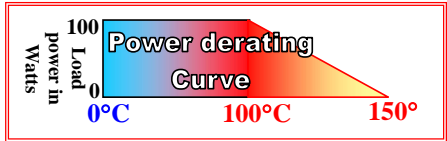


Coaxial Isolator, 1300-2800MHz SMA or N-Type Connector, 10, 50 or 200 Watts RADI-1300-2800M-S3-10WR



Tolerance (unless otherwise stated):
 X.XX ±0.04
 X.XXX ±0.004
 Machined surfaces 63√
 Flatness ±0.001/inch
 Bend radius 1/32 inch



Direction of RF:	
R	Default
L	

Units: mm
Not to scale

Order Examples: **RADI-1300-2800M-S3-10WR**
I=ISOLATOR / C=CIRCULATOR

N / SMA Connector options (X)				
Isolator			Circulator	
Port 1	Port 2		Port 3 Male	Port 3 Female
Female	Male	-1	-11	-21
Male	Female	-2	-12	-22
Female	Female	-3	-13	-23
Male	Male	-4	-14	-24

A	B	C	D	E	F	H	I	L	
60	60.7	21*	47.5 ±0.11	45.2 +0.11	tba	tba	9.3	tba	mm
									mm

Isolator Comprises the Circulator above Plus a Connectorized Load. Load Size: 38 x 40 x 27mm

****Dimensions change from 21mm to 26mm with N female connectors**

Specifications	1350-2700	1350-2700	1300-2800	1300-2800	1700-2700	MHz
Insertion loss	0.5	1.0	0.7	1.2	0.5	dB (maximum)
Isolation	18	15	15	13	18	dB (minimum)
VSWR	1.3	1.5	1.5	1.6	1.3	
Rated power (forward)	50	50	50	50	200	Watts (average)
Isolator Rated power (reverse)	10	10	10	10	200	Watts (average)
Circulator Rated power (reverse)	50	50				
Temperature	RT	-20 to +70 2/12/1.7 @ -40 to 85C	RT	+1 to+ 65	-15 to +71	°C
Load dimensions					80x60x35	mm

**Coaxial Isolator, 1300-2800MHz
SMA or N-Type Connector, 10, 50 or 200 Watts
RADI-1300-2800M-S3-10WR**

	1.35-2.75	1.35-2.75	
Insertion loss	0.5	1.0	dB (maximum)
Isolation	18	15	dB (minimum)
VSWR	1.3	1.5	
Rated power (forward)	50	50	Watts (average)
Isolator Rated power (reverse)	10	10	Watts (average)
Circulator Rated power (reverse)	50	50	
Temperature	RT	-20 to +70 2/12/1.7 @ -40 to 85C	°C
Load dimensions			mm