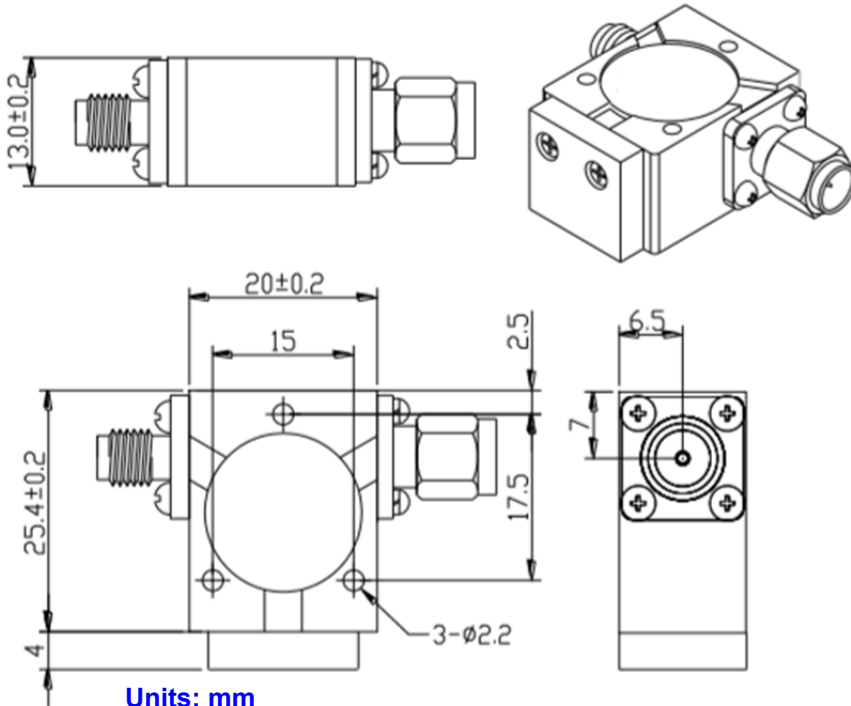


Isolator, Coaxial, 1.9-4.25 GHz, Split Bands, SMA Connectors, 10-50 Watts Forward, 10-50 Watts Reverse Power



Units: mm

General part tolerance is ±2% unless otherwise stated.



Direction of RF:	
R	Default →
L	←

SMA Connector options (X)				
Isolator			Circulator	
Port 1	Port 2		Port 3 Male	Port 3 Female
Female	Male	-1	-11	-21
Male	Female	-2	-12	-22
Female	Female	-3	-13	-23
Male	Male	-4	-14	-24

Order Examples: **RADI-1.9-2.0-S1-10WR-r25**
I=ISOLATOR

Storage Temp: -45 to 85C

Specifications:

Frequency GHz	Insertion loss dB (max)	Isolation dB (min)	VSWR (max)	Forward Power Watts CW (max)	Reverse Power Watts (max)	Operating Temp °C	Connector
1.9-2.0	0.3	23	1.20:1	10	10	-30 to +75	SMA
1.9-2.0	0.3	23	1.20:1	50	20	-30 to +75	SMA
3.75-4.25	0.45	19	1.25:1	10	10	-30 to +75	SMA
3.75-4.25	0.45	19	1.25:1	50	20	-30 to +75	SMA