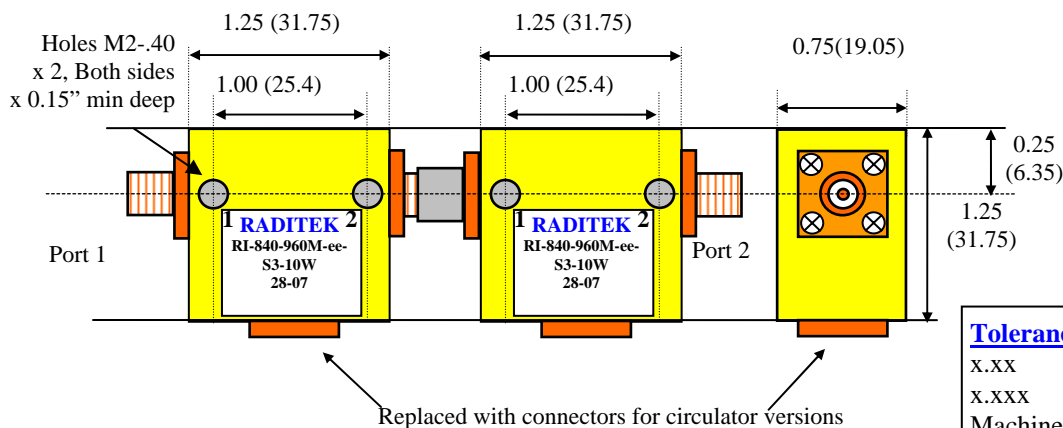


Dual Coaxial Isolator/Circulator, 1.8-2.1GHz SMA N-Type Connector, 1 Watt RI/C-1.8-2.1-ee1-S3-1WR-dj RI/C-1.9-2.1-ee1-S3-1WR-dj



Tolerance (unless otherwise stated):

x.xx	±0.02
x.xxx	±0.01
Machined surfaces	63√
Bend radius	1/32 inch

**Each Double junction unit comprises one S3 and one S1 Model
Allowing them to interconnect**

Direction of RF:

R	Default	→
L		←

Units: Inches (mm)
Not to scale

Order Examples: RI-F1-F2M-ee1-SX-1WR-dj
I=ISOLATOR / C=CIRCULATOR

N / SMA Connector options (X)				
Isolator		Circulator		
Port 1	Port 2		Port 3 Male	Port 3 Female
Female	Male	-1	-11	-21
Male	Female	-2	-12	-22
Female	Female	-3	-13	-23
Male	Male	-4	-14	-24

Specifications			Units
F1-F2	1.8-2.1	1.9-2.1	GHz
Insertion loss (cascaded units)	0.8	0.8	dB maximum
Isolation (cascaded units)	40	40	dB minimum
VSWR	1.25:1	1.25:1	
Power Reflected (Load)	1.0	1.0	Watt (assumes infinite heatsink)
Operating temperature	-20 to 80	-20 to 80	°C
Storage temperature	-50 to 110	-50 to 110	°C