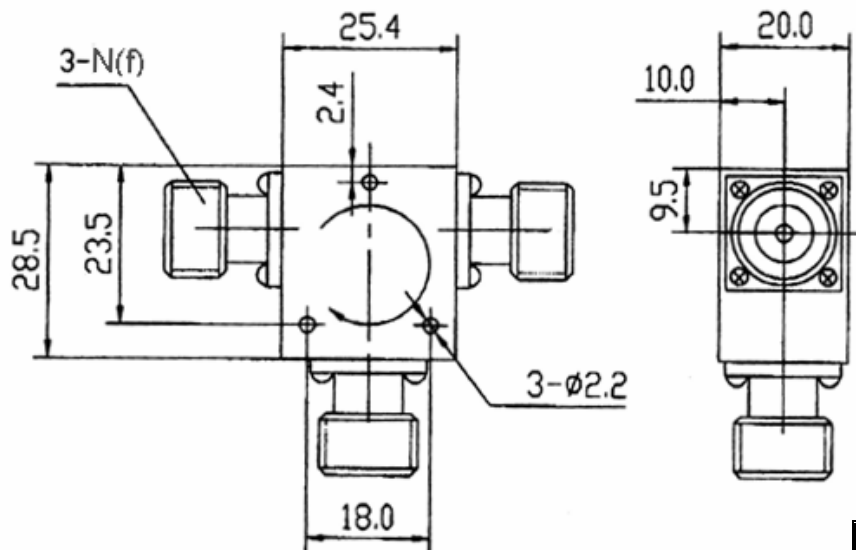
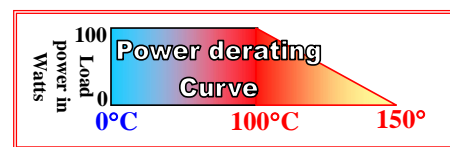


## Coaxial Circulator, 2.5-2.7GHz N-Type Connector, 120 Watts, 300 Watts Peak RADC-2.5-2.7-N23-120W(300W Peak)



**Tolerance (unless otherwise stated):**

Hole diameter	±0.004
Dimensions	±0.015
Machined surfaces	63√
Flatness	±0.001/inch
Bend radius	1/32 inch



**Direction of RF:**

<b>R</b>	Default	
<b>L</b>		

Units: mm  
Not to scale

**N / SMA Connector options (X)**

Isolator		Circulator		
Port 1	Port 2		Port 3 Male	Port 3 Female
Female	Male	-1	-11	-21
Male	Female	-2	-12	-22
Female	Female	-3	-13	-23
Male	Male	-4	-14	-24

Order Examples: RADC-2.5-2.7-N23-120WR(300W Peak)  
I=ISOLATOR / C=CIRCULATOR

Specifications: Frequency GHz	Insertion loss dB (max)	Isolation dB (min)	VSWR :1	Avg. Power Watts	Peak Power Watts	Temp °C	Connector
2.5-2.7	0.3	20	1.20	120	300	-30 to +70	N-Type