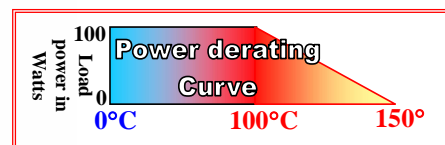
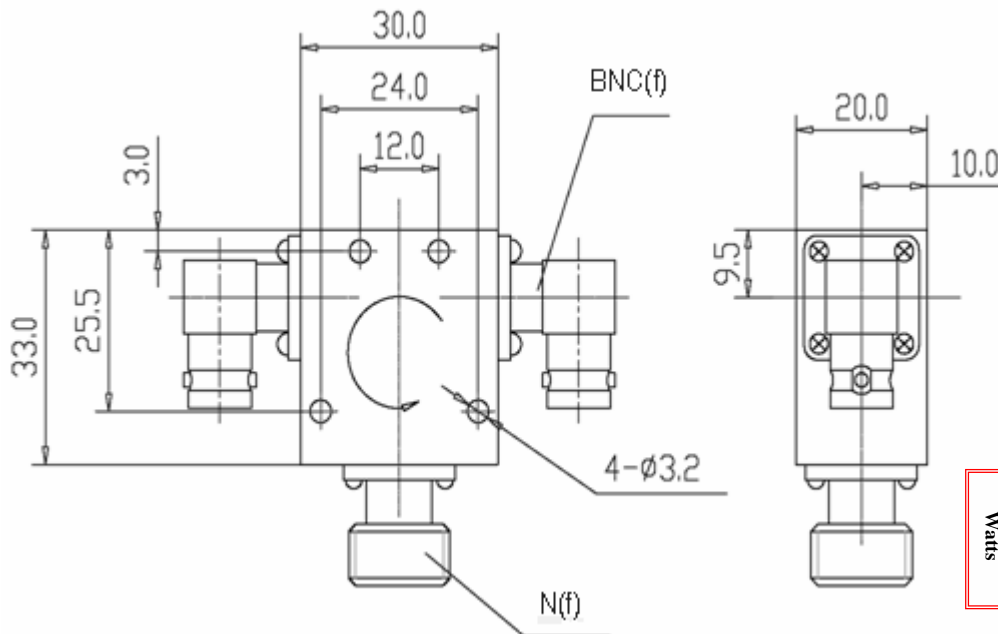


**Coaxial Circulator, 854-921MHz
BNC and N-Type Connectors, 70 Watts
RADC-854-921M-BNCf/BNCf/Nf-70WR**



Direction of RF:	
R	Default
L	

Units: mm
Not to scale

☛ Order Examples: RAD**C**-854-921M-BNCf/BNCf/Nf-70WR
I=ISOLATOR / **C**=CIRCULATOR

N / SMA Connector options (X)				
Isolator		Circulator		
Port 1	Port 2		Port 3 Male	Port 3 Female
Female	Male	-1	-11	-21
Male	Female	-2	-12	-22
Female	Female	-3	-13	-23
Male	Male	-4	-14	-24

Specifications: Frequency MHz	Insertion loss dB (max)	Isolation dB (min)	VSWR :1	Power Fwd Watts	Power Rev Watts	Temp °C	Connector
854-921	0.3	23	1.20	70	70	-10 to +75	BNC- N-Type