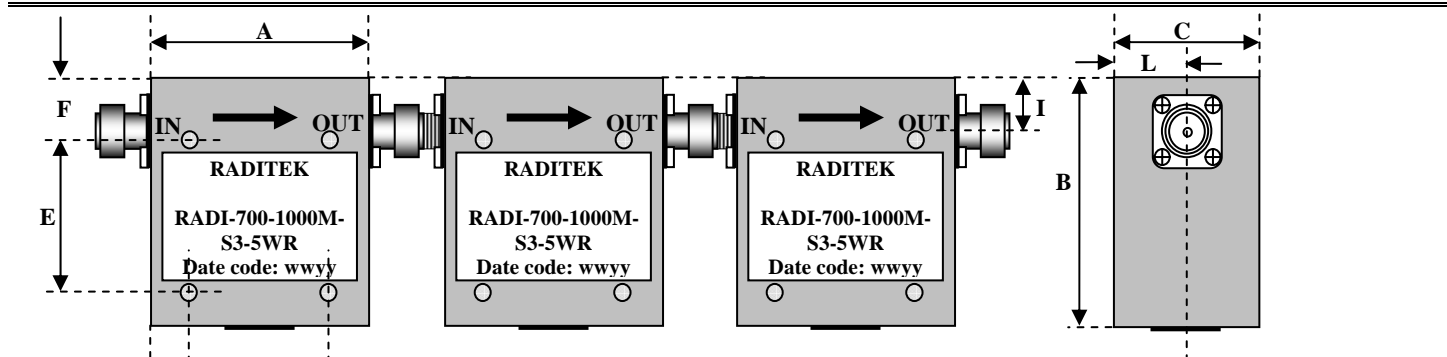


Coaxial Isolator, 700-1000MHz

SMA Connector, 5 Watts

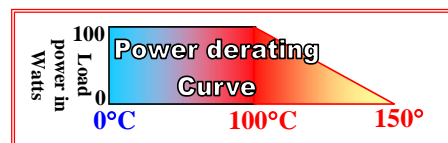
RADI-700-1000M-S3-5WR

***To achieve 55-60dB of Isolation, 3 units in tandem are required**



Tolerance (unless otherwise stated):

Hole diameter	±0.004
Dimensions	±0.015
Machined surfaces	63√
Flatness	±0.001/inch
Bend radius	1/32 inch



Direction of RF:

R	Default	
L		

Units: mm
Not to scale

Order Examples: RADI-700-1000M-S3-5WR
I=ISOLATOR / C=CIRCULATOR

N / SMA Connector options (X)

Isolator		Circulator		
Port 1	Port 2		Port 3 Male	Port 3 Female
Female	Male	-1	-11	-21
Male	Female	-2	-12	-22
Female	Female	-3	-13	-23
Male	Male	-4	-14	-24

A	B	C	D	E	F	H	I	L	
48.5	20.2	53.5	tba	tba	tba	tba	tba	tba	mm
									mm

Specifications: Frequency MHz	Insertion loss dB (max)	*Isolation dB (min)	VSWR :1	Power Fwd Watts	Power Rev Watts	Temp °C	Connector
700-1000	1.5	55	1.30	5	5	15 to +40	SMA
700-825	1.5	60	1.25	5	5	15 to +40	SMA
800-1000	1.5	60	1.25	5	5	15 to +40	SMA