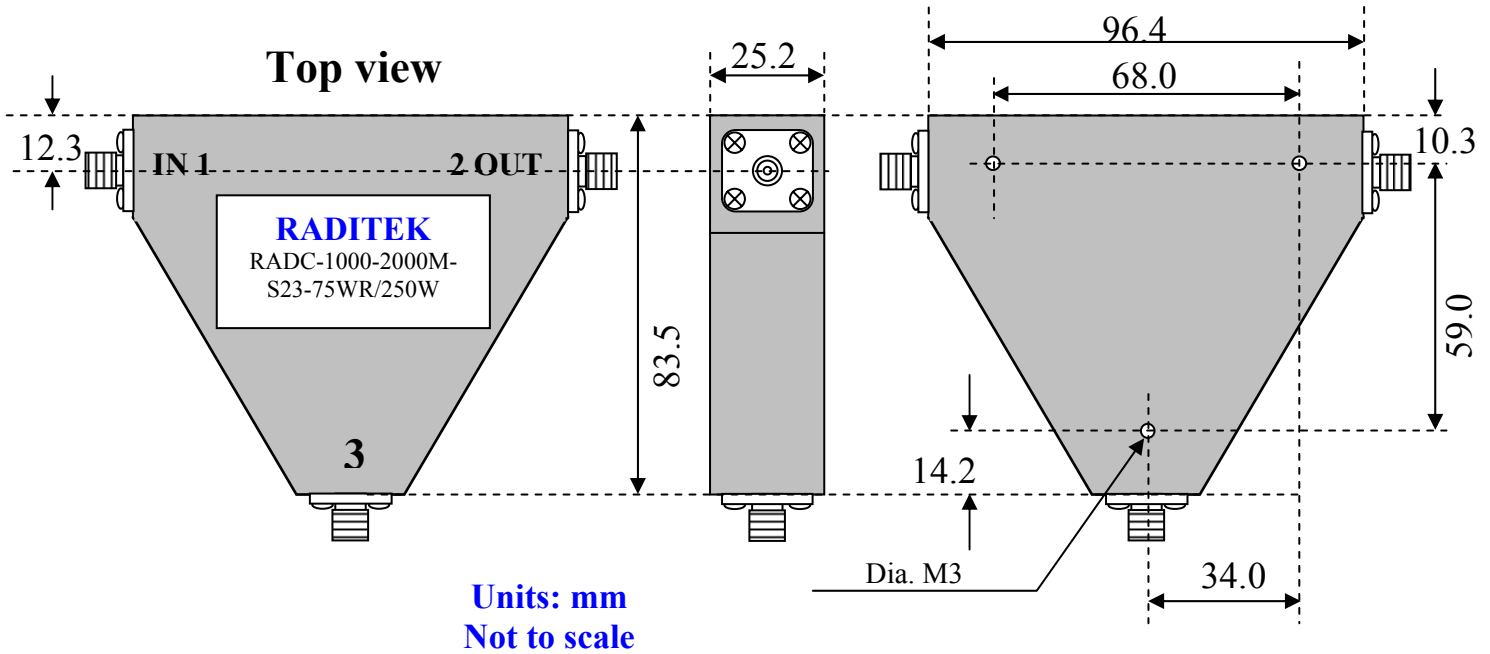


## Coaxial Isolator or Circulator, 1000-2000MHz SMA Connector, HP

RADC-1000-2000M-S23-75WR/250W - (75W Reverse/250W Forward)

RADI-1000-2000M-S3-50WR/250W - (50W Reverse/250W Forward)

Forward Power 250W max (Pulse or Average)



Order Examples: RADC-1000-2000M-S23-75WR/250W  
I=ISOLATOR / C=CIRCULATOR

Direction of RF:	
<b>R</b>	Default ►
<b>L</b>	◄



N / SMA Connector options (X)				
Isolator			Circulator	
Port 1	Port 2		Port 3 Male	Port 3 Female
Female	Male	-1	-11	-21
Male	Female	-2	-12	-22
Female	Female	-3	-13	-23
Male	Male	-4	-14	-24

Specifications: MHz	Insertion loss dB (max)	Isolation dB (min)	VSWR :1 (input and output)	Rated Power (Fwd) Watts (avg)	Rated Power (Rev) Watts (avg)	Operating Temp. °C (55°C Max)
Room Temp/ Over Temp	RT/OT	RT/OT	RT/OT			
1000-2000 (C)	0.6 / 1.0	17 / 15	1.25 / 1.50	250	75	1~+50
1000-2000 (I)	0.4 / 1.0	20 / 15	1.25 / 1.50	250	50	1~+50

Additional Sub-Set Frequencies of 1000-2000 MHz listed on page 2

## Coaxial Isolator or Circulator, 1000-2000MHz SMA Connector, HP

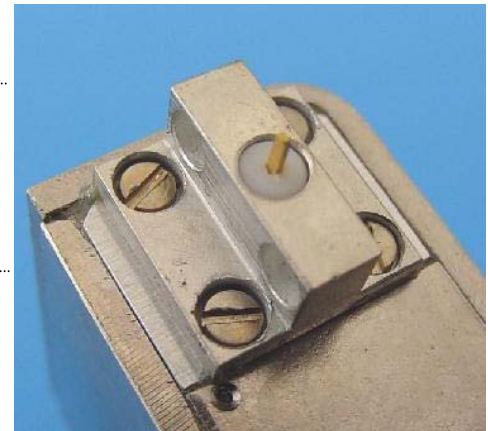
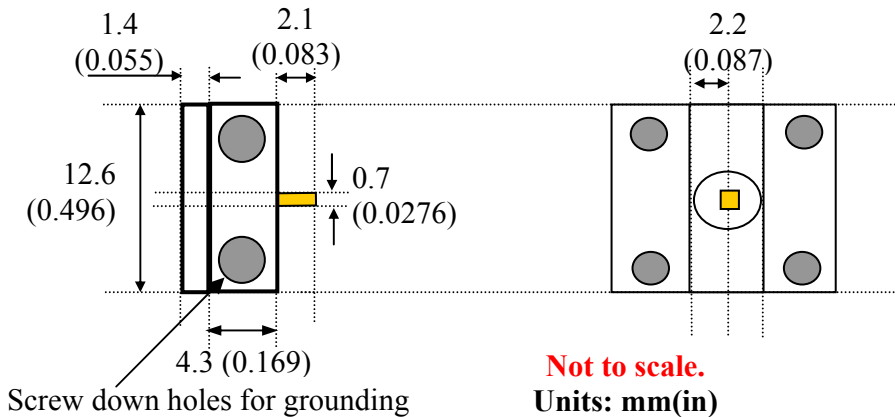
RADC-1000-2000M-S23-75WR/250W - (75W Reverse/250W Forward)

RADI-1000-2000M-S3-50WR/250W - (50W Reverse/250W Forward)

Forward Power 250W max (Pulse or Average)

Specifications: MHz	Insertion loss dB (max)	Isolation dB (min)	VSWR :1 (input and output)	Rated Power (Fwd) Watts (avg.)	Rated Power (Rev) Watts (avg.)	Operating Temp. °C (55°C Max)
Room Temp/ Over Temp	RT/OT	RT/OT	RT/OT			
-----Additional Sub-Set Frequencies of 1000-2000 MHz-----						
1000-1600 (C)	0.5 / 0.8	18 / 14	1.30 / 1.60	250	75	1~+50
1000-1600 (I)	0.5 / 0.8	18 / 14	1.30 / 1.60	75	75	1~+50

### B4 Connector Option to 3GHz



**Alternative connector option (B4), so unit can be used as a "drop in." Note the screw down holes must clamp down on the grounding surfaces.**