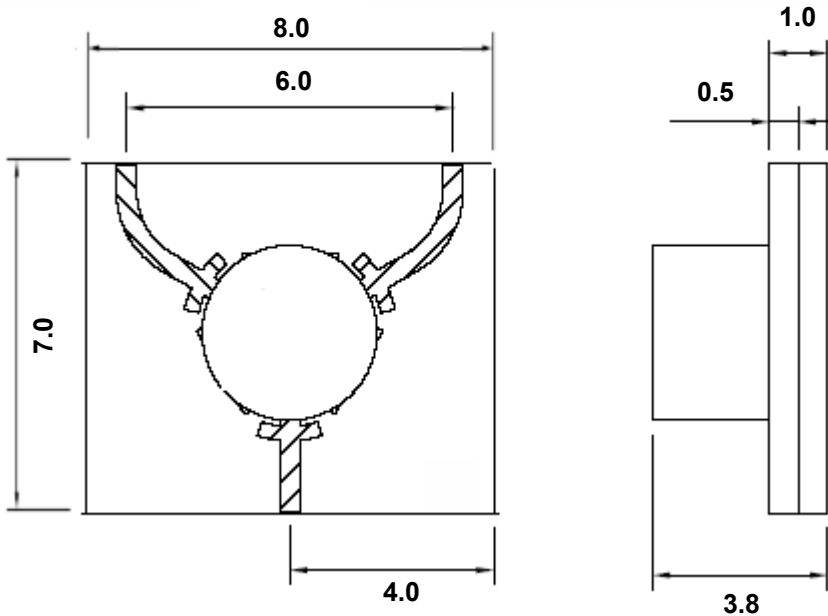


## Circulator, Y Shape, Metal Backed Substrate 12-14GHz, MSSMY, 10 Watts (8.0x7.0)



**Tolerance Table Metric (inch)**  
(unless otherwise stated):  
Dimensions (w\*h) +/- 0.3 mm, (+/- 0.015")  
Dimensions (Microstrip pad, Stripline Tab,  
**Machined surfaces**  
Flatness 0.025/mm, (0.001/ inch)  
Bend radius 0.8mm, (0.031" or 1/32")

**Units: mm(Inch)**  
**Not to scale**

Direction of RF:	
<b>R</b>	Default <span style="color: red;">▶</span>
<b>L</b>	<span style="color: red;">◀</span>

Order Examples: **RADC-12-14-MSSMY-10WR(8.0x7.0)-b**  
**C=CIRCULATOR**

Electrical Specifications		Units
Frequency Range	12-14	GHz
Insertion Loss p2 to p1 (IL21)	≤0.6	dB
Insertion Loss p1 to p3 (IL 13)	≤1	dB
Isolation p1 to p2 (Iso12)	>20	dB
Isolation p3 to p2 (Iso32)	>20	dB
Isolation p2 to p3 (Iso23)	>20	dB
Isolation p3 to p1 (Iso31)	>30	dB
VSWR	<1.25:1	
Power Forward (peak) (Pwf)	>10	Watts
Power (CW)	>10	Watts
Operating Temperature Range(top)	-45 to +85	°C
Storage Temperature (tstr)	-55 to +125	°C

**Notes:**

1. Plating: Gold
2. Tuning conductor (97In3Ag) optional location and configuration determined by customer.
3. Humidity 5 to 95% non-condensing.
4. Maximum temperature during welding process: +350°C @ 25 msec.