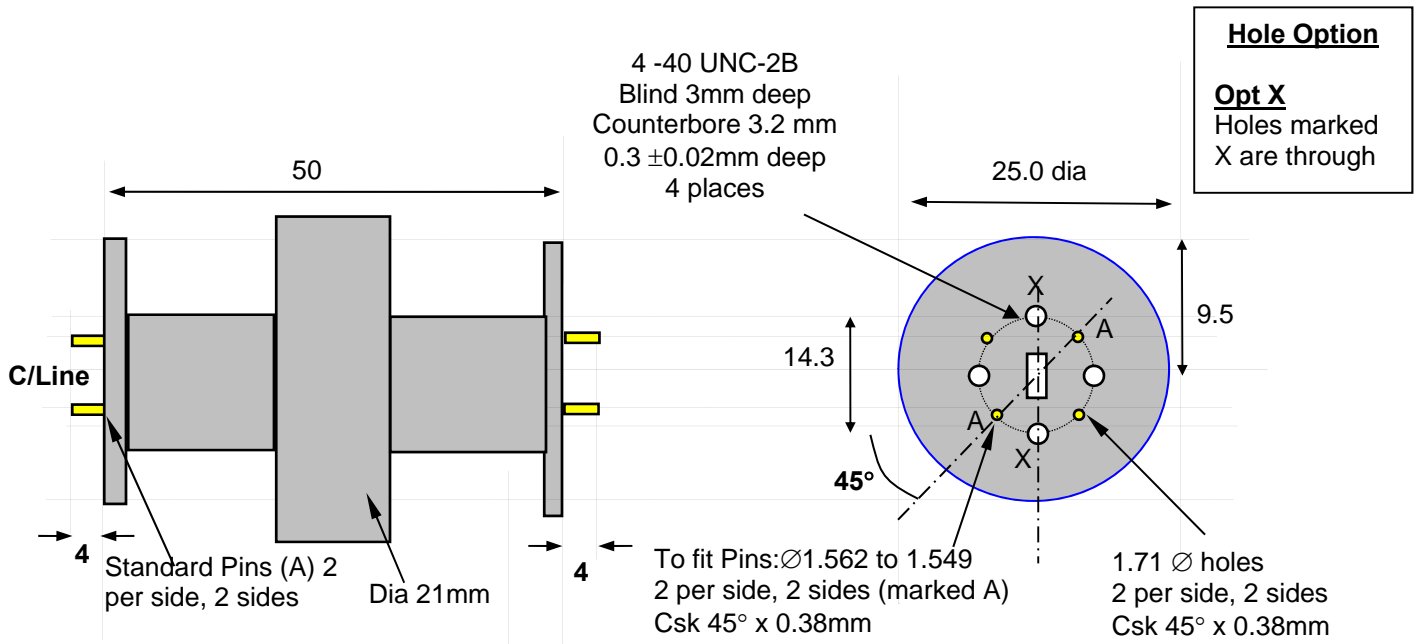


Waveguide Isolator, 110-150 GHz WR6 Flange, 0.5 Watt



Units: mm.
Tolerance: ± 0.2 unless otherwise stated.
Material: Silver plated brass.

Direction of RF:	
R	Default \blacktriangleright
L	\blacktriangleleft

Order Examples: **RADI-110-150-WR6-0.5WR**
I=ISOLATOR

Specifications:

Frequency GHz	Insertion loss dB (max)	Isolation dB (min)	VSWR	Reverse Power Watts	Forward Power Watts	Operating Temp °C	Interface
110-150	3.5	25	1.5:1:	0.5	0.5	TBA	WR6
			:1				