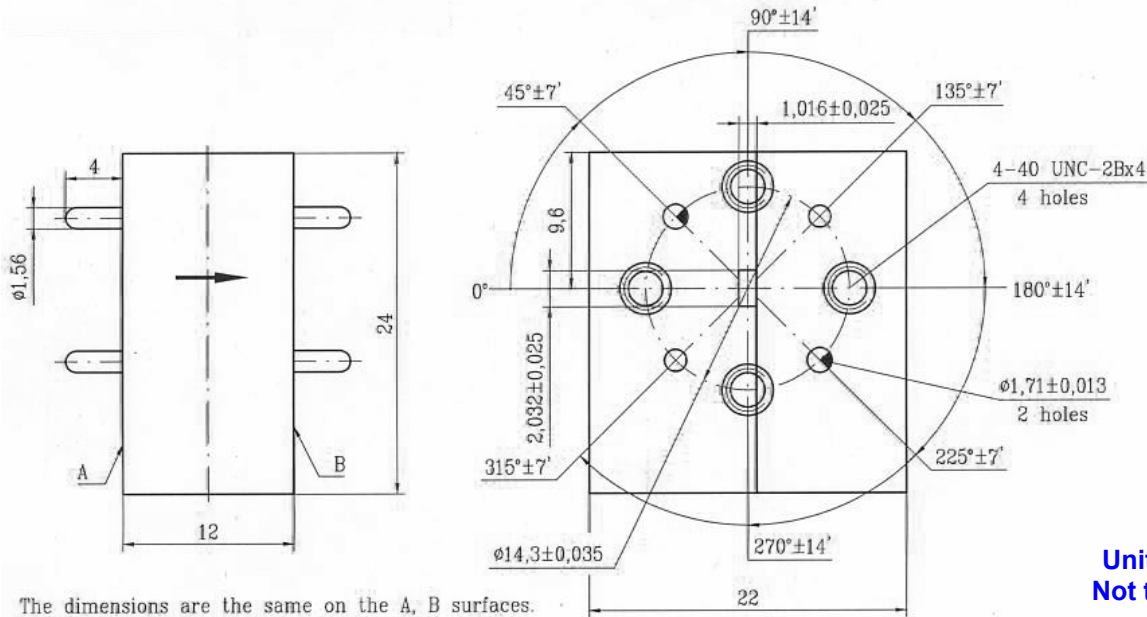


Waveguide Isolator, 127.5-132.5 GHz, 3 or 5 GHz Bandwidth WR8 Package-UG-387/U Flange, 0.5Watt



**Units: mm
Not to scale**

Direction of RF:	
R	Default ▶
L	◀

**Order Examples: RADI-127.5-132.5 (3GHz BW)-WR08 (UG-387/U)-0.5WR
I=ISOLATOR**

Tolerance Table Metric (inch)

(unless otherwise stated):

Hole diameter +/- 0.1mm, (+/- 0.004")

Dimensions (w*h) +/- 0.3 mm, (+/- 0.015")

Waveguide Slot Position, +/- 0.1mm, (+/- 0.04")

Dimensions (hole position) +/- 0.1mm, (+/- 0.04")

Machined surfaces

Flatness 0.025/mm, (0.001/ inch)

Bend radius 0.8mm, (0.031" or 1/32")

Specifications:

Frequency GHz	Bandwidth GHz	Insertion loss dB (max)	Isolation dB (min)	VSWR :1	Rev Power Watts	Temp °C	Waveguide	Flange
127.5-132.5	3	0.70	18	1.30	0.5	-30 to +70	WR8	UG-387/U
127.5-132.5	5	1.20	15	1.50	0.5	-30 to +70	WR8	UG-387/U