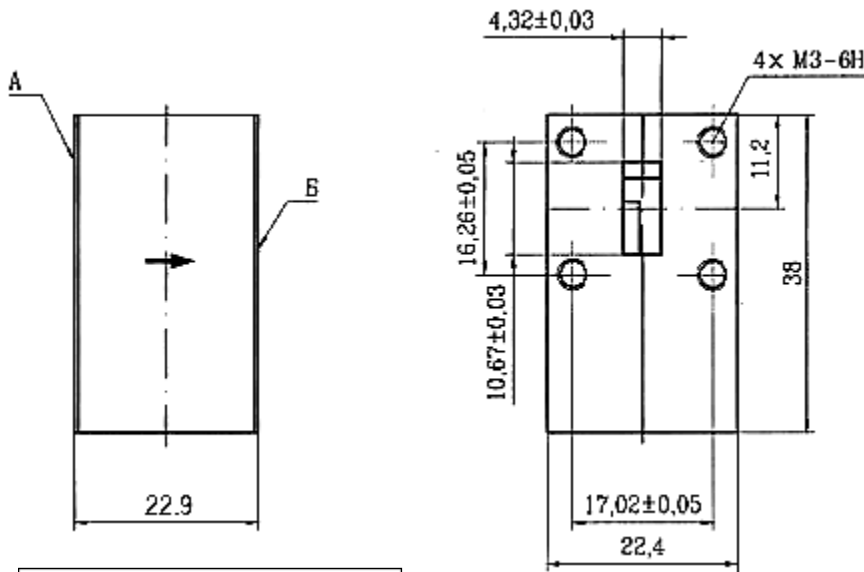


Waveguide Isolator, 18-27GHz, Split Bands Cryogenic 4-77°K, 10-15°K or 30-45°K, WR42, 1Watt



WR42 Slot
4.32±0.003 x 10.67±0.005 mm
(0.17 x 0.42) ±0.003

**Units: mm
Not to scale**

Tolerance Table Metric (inch)
(unless otherwise stated):
Hole diameter +/- 0.1mm, (+/- 0.004")
Dimensions (w*l*h) +/- 0.3 mm, (+/- 0.015")
Waveguide Slot Position, +/- 0.1mm, (+/- 0.04")
Dimensions (hole position) +/- 0.1mm, (+/- 0.04")
Machined surfaces
Flatness 0.025/mm, (0.001/ inch)
Bend radius 0.8mm, (0.031" or 1/32")

| Direction of RF: | |
|------------------|-----------|
| R | Default ▶ |
| L | ◀ |

Order Examples: **RADI-18-26.5-Cryo-(4-77K)-WR42-1WR-b**
I=ISOLATOR

Specifications:

| Frequency GHz | Insertion loss dB (max) | Isolation dB (min) | VSWR | Power Watt | Operating Temp °K | Waveguide | Size mm |
|---------------|-------------------------|--------------------|--------|------------|-------------------|-----------|------------|
| 18.0-26.5 | 0.5 | 18 | 1.30:1 | 1 | 4-77 | WR42 | 32x46x22.4 |
| 22-27 | 0.4 | 19 | 1.25:1 | 1 | 30-45 | WR42 | 32x46x22.4 |
| 25.5-27.0 | 0.3 | 20 | 1.21:1 | 1 | 10-15 | WR42 | 22x38x22.4 |
| | | | | | | | |
| | | | | | | | |