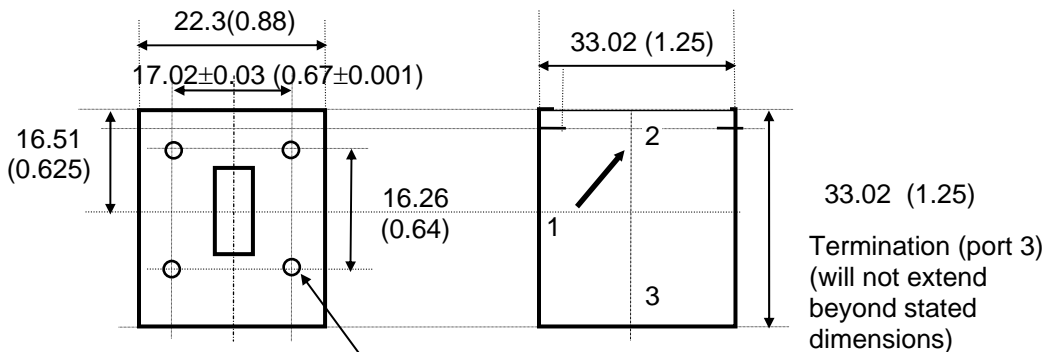


## Waveguide Isolator, 24.5-26.1GHz, WR42, 90° 0.5Watts Reverse Power



Tolerance Table Metric (inch) (unless otherwise stated):	
Hole diameter	+/- 0.1mm, (+/- 0.004")
Dimensions (w*h)	+/- 0.3 mm, (+/- 0.015")
Waveguide Slot Position	+/- 0.1mm, (+/- 0.04")
Dimensions (hole position)	+/- 0.1mm, (+/- 0.04")
Machined surfaces	
Flatness	0.025/mm, (0.001/ inch)
Bend radius	0.8mm, (0.031" or 1/32")

Vibration	10-55Hz, 2hrs X,Y,Z axis for 2 hrs/axis
Tropical	Temp cycling 40°C@95%RH for 96 hrs
-55° to 85° , 10 cyc. 1hr/cyc Guaranteed, but not tested.	

8 X 4-40 thread  
UNC-2Bx 0.18 deep

**WR42**  
10.67 x 4.32 ± 0.005  
(0.420 x 0.170  
±0.003)

Units: mm(Inches)  
Not to scale

Hole Options-X	
-1	8 off 4-40 UNC 2B 0.18" deep
-2	4 Thru holes 0.116/.110 dia., +/-0.01
-3	8 off M3 x 5-6H (5 pitch, 6H thread class)x0.280"(7.1) deep
-4	4 x M3 0.5-6H, tapped thru

Direction of RF:	
R	Default ▶
L	◀

Order Examples: **RADI-24.5-26.1-WR42-0.5WR-1-b**  
**I=ISOLATOR**

Alodined Aluminum or brass-Silver plated  
(7µm thick)  
Screws on termination are captivated with  
epoxy or equivalent

Specifications		Units
Frequency	24.49-25.5 GHz	-001
	25.5-26.1 GHz	-002
	24.49-26.1 GHz	-003
Insertion loss	0.3	dB maximum
Isolation	18	dB minimum
Return loss	20	dB minimum
Rated power options	0.5	Watt minimum CW
Operating temperature	-30 to +80	°C
Altitude	to 15,000	Feet
Packaging	Marking	Test results Over full frequency range
One per box, or on a vacuum formed skin pack	Raditek and part number Week code YYWW Circulating sense	For each device: Isolation (Min. in range) Insertion loss (Maximum) Return loss (Minimum)