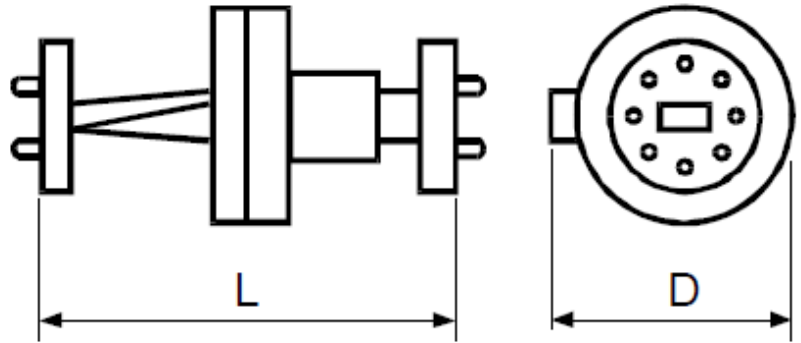


Waveguide Isolator 40-60 GHz, (Faraday Rotational) WR19 Package, UG 383/U Flange, 1Watt



Units: mm
Not to scale

Direction of RF:	
R	Default ▶
L	◀

Dimensions			
Waveguide	L	D	Units
WR19	60	30	mm

Order Examples: **RADI-40-60-UG383/U-WR19-1WR-Faraday-b**
I=ISOLATOR

Specifications:

Frequency GHz	BW	Insertion loss dB (max)	Isolation dB (min)	VSWR	Rev Power Watts	Temp °C	Waveguide	Flange
40-60	Full	1.8	25	1.4:1	1	-10 to +60	WR19	UG-383/U