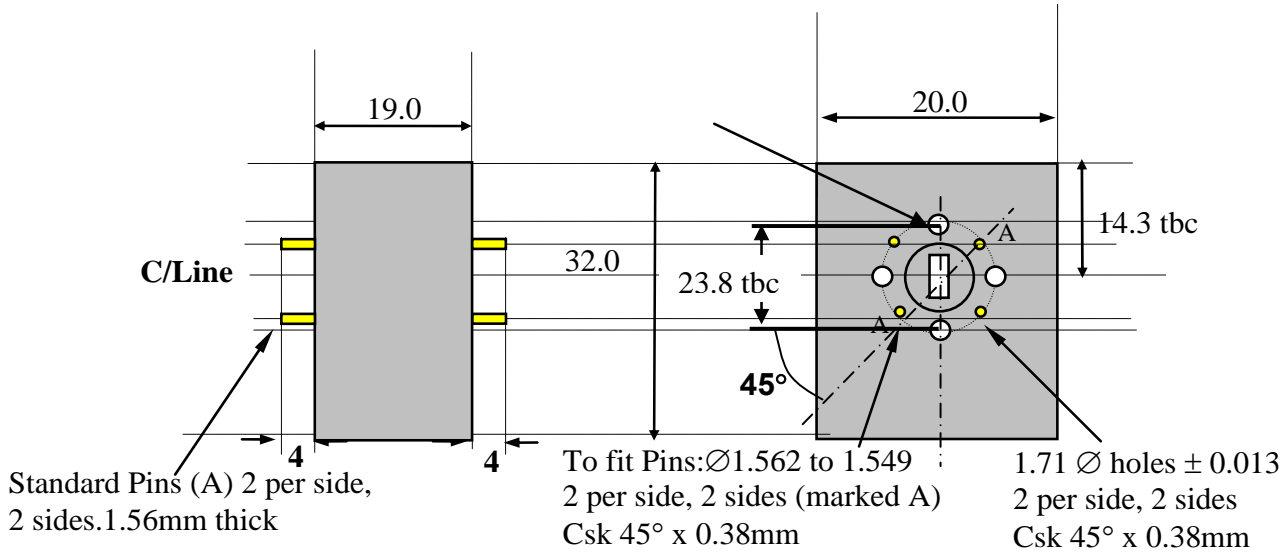


Waveguide Isolator, 50-64 GHz Split Bands WR15 Package - UG-385/U flange, 1 Watt



Units: mm.

Tolerance: (unless otherwise stated).

.X $\pm .5$

.XX $\pm .25$

.XXX $\pm .127$

Material: Aluminum + Chemical Film.

Isolator shown above.

Direction of RF:	
R	Default \blacktriangleright
L	\blacktriangleleft

Order Examples: **RADI-50-52-WR15-1WR**
I=ISOLATOR / C=CIRCULATOR

Specifications:

Frequency GHz	Insertion loss dB (max)	Isolation dB (min)	VSWR	Reverse Power Watts	Forward Power Watts	Operating Temp $^\circ\text{C}$
50-52	0.4	20	1.25:1	1	1	-40 to +75
57-64	0.4	20	1.25:1	1	1	-40 to +75