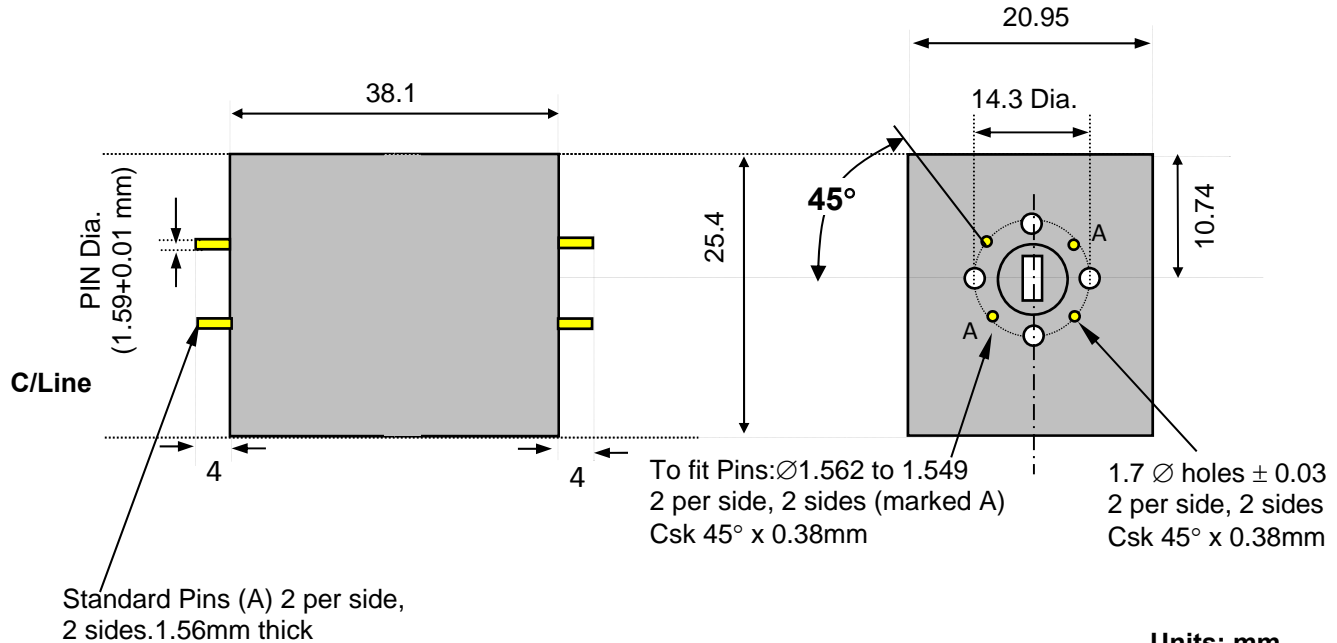


## Waveguide Isolator, 51-59 GHz Double Junction, WR15 Flange, 1 Watt



**Units: mm  
Not to scale**

Direction of RF:	
R	Default <span style="color: red;">▶</span>
L	<span style="color: red;">◀</span>

Order Examples: **RADI-51-59-WR15-DJ-1WR**  
**I=ISOLATOR / C=CIRCULATOR**

### Specifications:

Frequency GHz	Bandwidth GHz	Insertion loss dB (max)	Isolation dB (min)	VSWR	Reverse Power Watts	Forward Power Watts	Waveguide Package	Operating Temp °C
51-59	8	0.8	38	1.35:1	1	1	WR15	-10 to +60