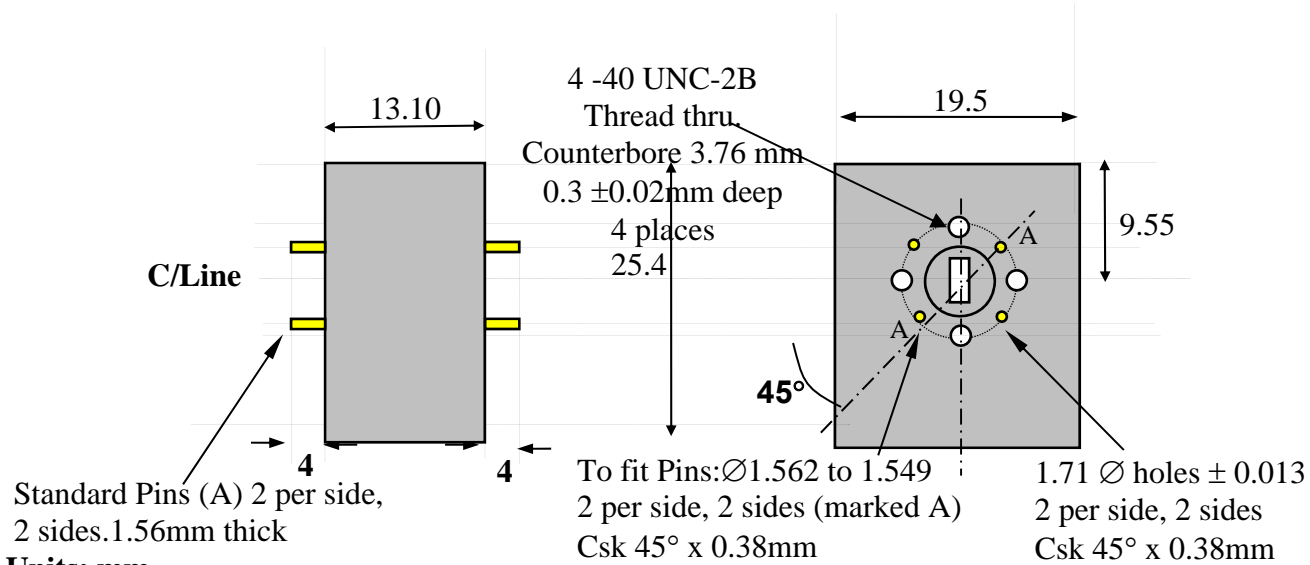


Waveguide Isolator, 52-61 GHz, Split Bands WR15 / UG385/U Flange, 1 Watt



Isolator shown above.

Tolerance: (unless otherwise stated).

.X ± .5

.XX ± .25

.XXX ± .127

Material: Aluminum + Chemical Film.

Direction of RF:	
R	Default
L	

Order Examples: **RADI-59-61-WR15-UG385/U-0.5WR**
I=ISOLATOR / C=CIRCULATOR

Specifications:

Frequency GHz	Insertion loss dB (max)	Isolation dB (min)	VSWR	Reverse Power Watts	Forward Power Watts	Waveguide Package	Operating Temp °C
59-61	0.5	18	1.30:1	0.5	1	WR-15, UG385/U	-30 to +65
52.01-57.49	0.4	18	1.30:1	1	1	WR-15, UG385/U	-40 to +75