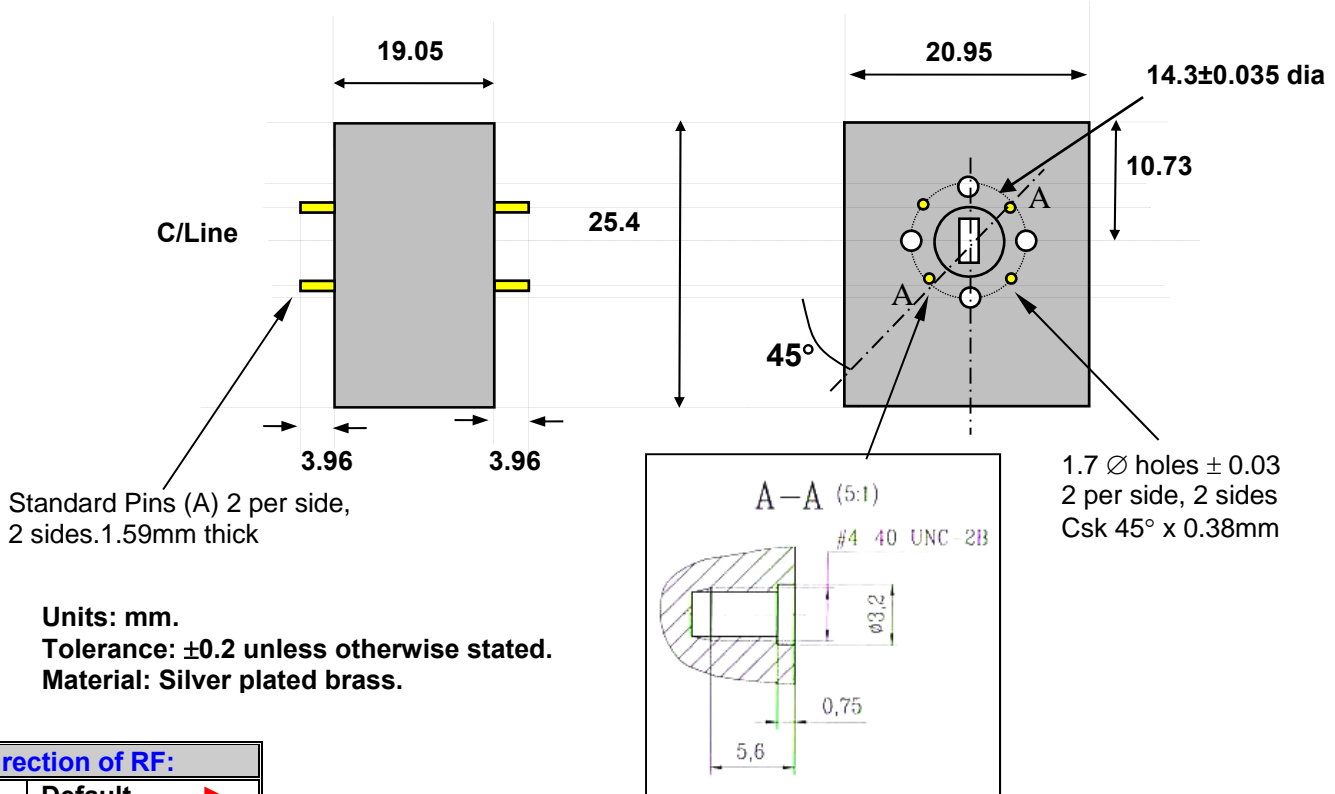


Waveguide Isolator, 59-64GHz WR15, UG-385/U Flange, 1 Watt



Standard Pins (A) 2 per side,
2 sides. 1.59mm thick

Units: mm.

Tolerance: ±0.2 unless otherwise stated.

Material: Silver plated brass.

Direction of RF:	
R	Default ▶
L	◀

Order Examples: **RADI-59-64-WR15-(UG385U)-1WR-b**
I=ISOLATOR

Specifications	Full Band	Units
Frequency	59-64	GHz
Insertion loss	0.5	dB max
Isolation	20	dB min
VSWR	1.3:1	min
Waveguide Flange	UG385/U	Watt
Rated power Forward	1	Watt
Rated power Reverse	1	Watt
Operating Temp	0 to 50	°C
Non-Operating Temp	-55 to 80	°C
Vibration	3G @ +50°C	5 to 500 Hz Sinewave
Humidity	95% operating, 60% non operating	at 50 °C