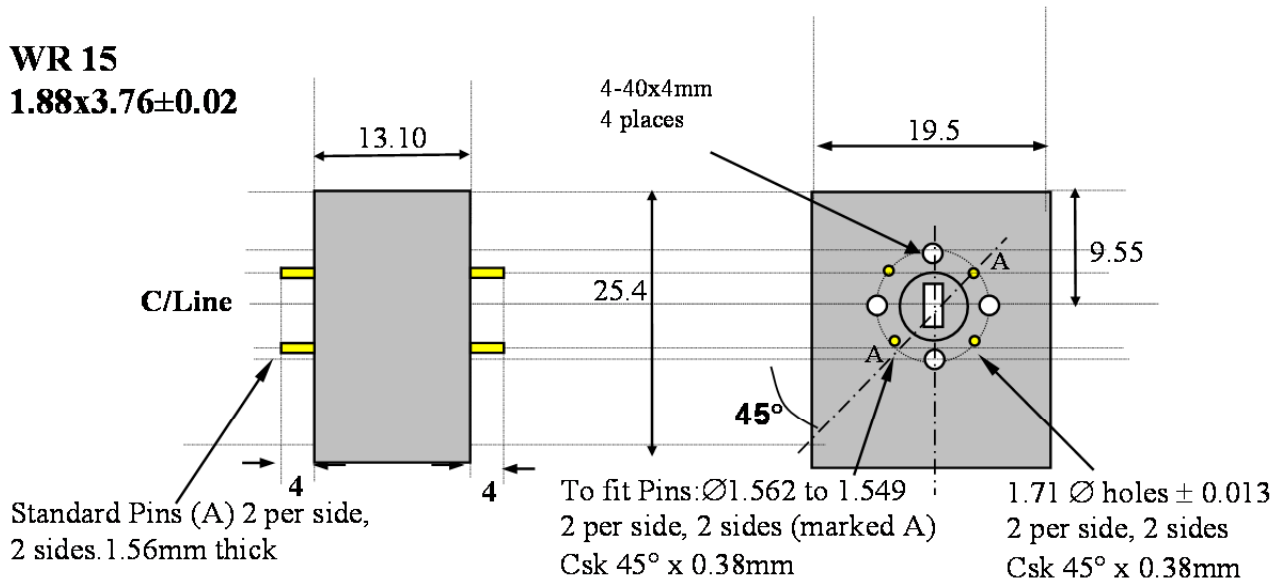


Waveguide Isolator, 60-62 GHz WR15, UG385/U Flange, 1 Watt

WR 15

1.88x3.76±0.02



Units: mm.

Tolerance: (unless otherwise stated).

.X ± .5

.XX ± .25

.XXX ± .127

Material: Aluminum + Chemical Film.

Isolator shown above.

Direction of RF:	
R	Default ▶
L	◀

Order Examples: **RADI-60-62-WR15-UG385/U-1WR-e**
I=ISOLATOR / C=CIRCULATOR

Specifications:

Frequency GHz	Insertion loss dB (max)	Isolation dB (min)	VSWR	Reverse Power Watts	Forward Power Watts	Waveguide Package	Operating Temp °C
60-62	0.5	18	1.3:1	0.5	1	WR-15, UG385/U	-30 to +65