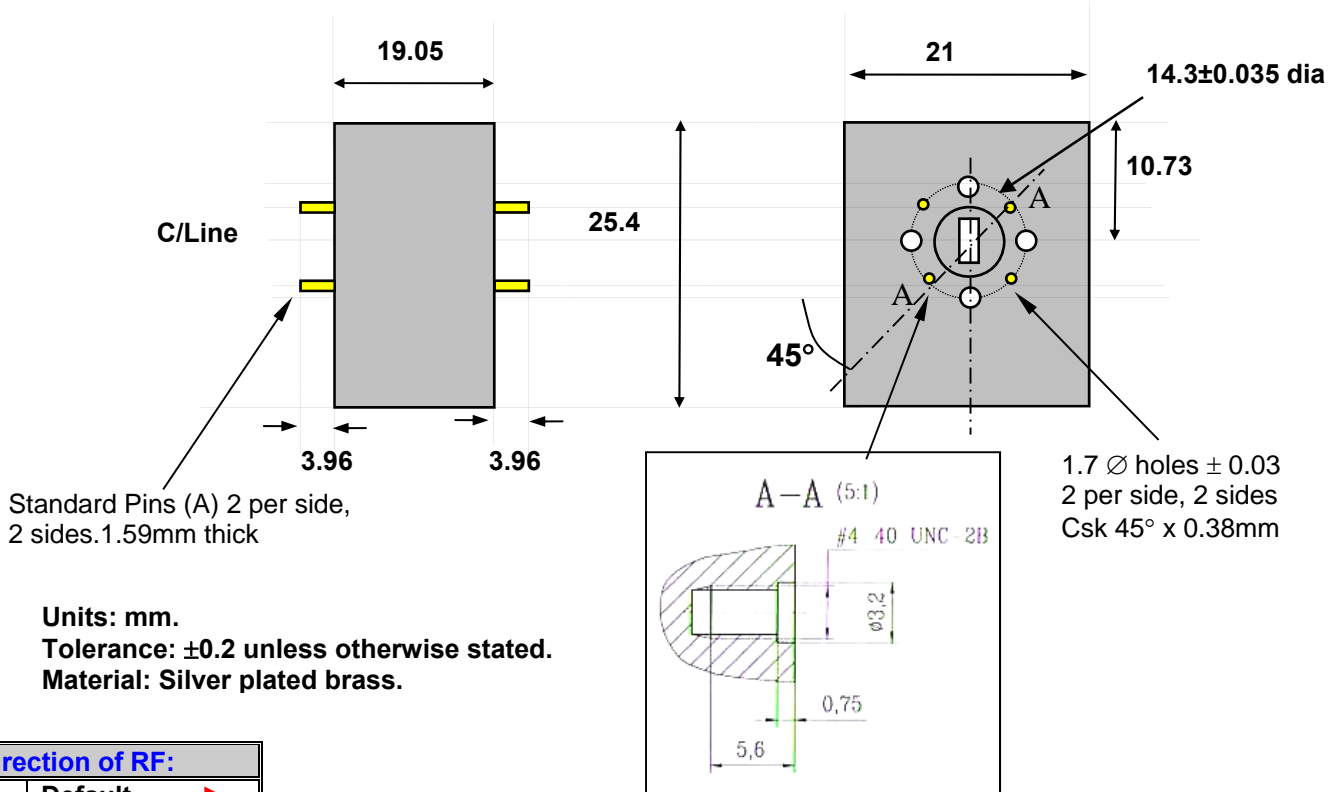


## Waveguide Isolator, 63-65 GHz WR15 Package, 1 Watt Reverse/ Forward Power



Standard Pins (A) 2 per side, 2 sides. 1.59mm thick

Units: mm.  
Tolerance: ±0.2 unless otherwise stated.  
Material: Silver plated brass.

Direction of RF:	
R	Default ▶
L	◀

Order Examples: **RADI-63-65-WR15-1WR-b**  
**I=ISOLATOR**

### Specifications:

Frequency GHz	Insertion loss dB (max)	Isolation dB (min)	VSWR	Forward Power Watts	Reverse Power Watts	Operating Temp °C	Waveguide
63-65	0.5	20	1.35:1	1	1	0 to +50	WR15