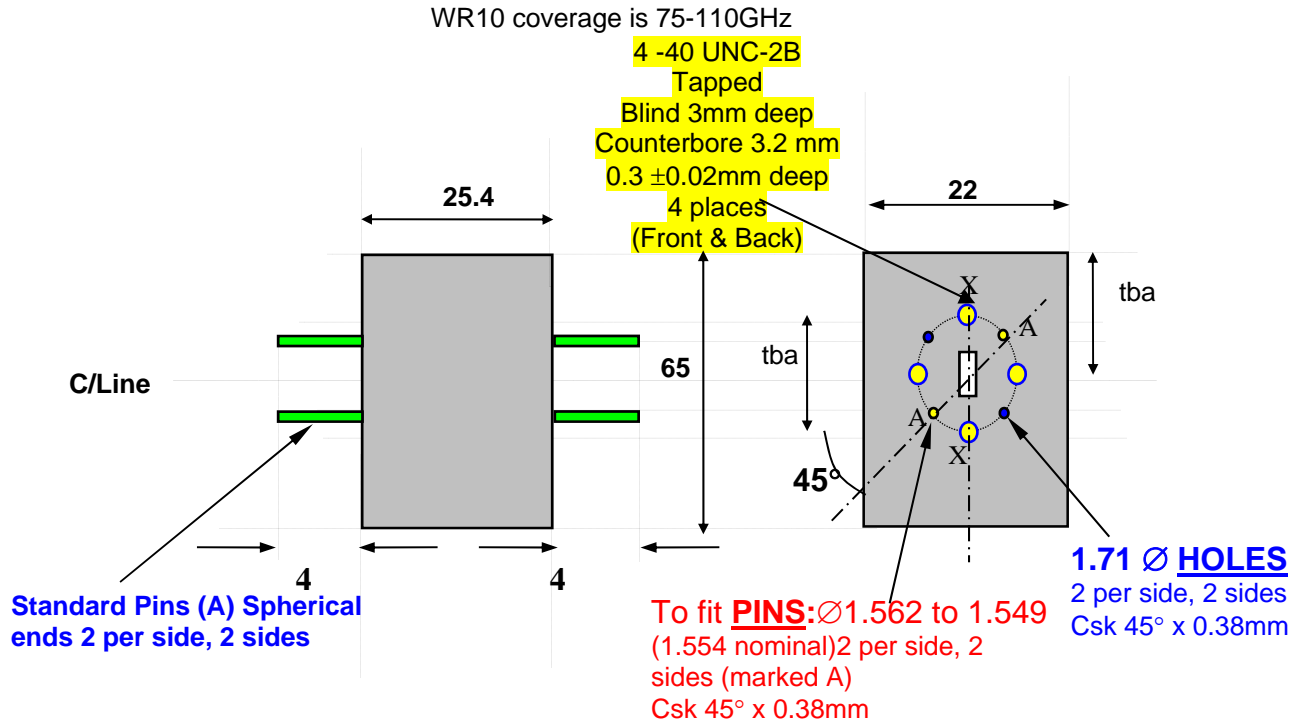


Waveguide Isolator, 75-110 GHz (2GHz Bandwidth) WR10 Flange, 50 Watts



To be mounted on the heatsink.

Units: mm (Inch)
Not to scale

Tolerance Table Metric (inch)

(unless otherwise stated):

Hole diameter +/- 0.1mm, (+/- 0.004")

Dimensions (w*h) +/- 0.3 mm, (+/- 0.015")

Dimensions (hole position) +/- 0.1mm, (+/- 0.04")

Machined surfaces

Flatness 0.025/mm, (0.001/ inch)

Bend radius 0.8mm, (0.031" or 1/32")

| Specifications | | Units |
|-----------------------|----------------|--------|
| Frequency | 75-110 | GHz |
| Band Width | 2.0 | GHz |
| Insertion loss | 0.4 | dB max |
| Isolation | 19 | dB min |
| VSWR | 1.25 | :1 max |
| Interface | WR-10, UG387/U | |
| Reverse Power | 50 | Watt |
| Operating Temperature | 0 to 50 | °C |