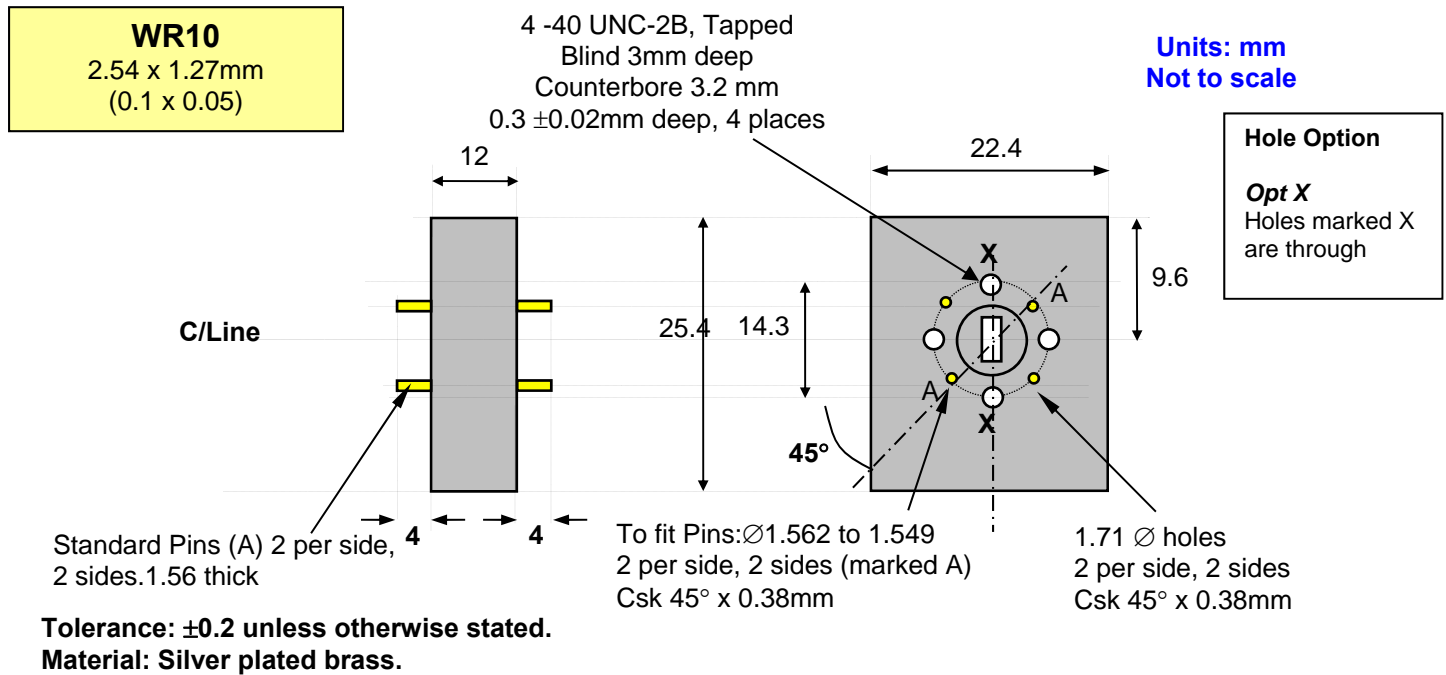


Waveguide Isolator, WR10, 75-110GHz, Full or Part Bands UG387/U Flange, 0.2-2Watt Reverse Power



Direction of RF:	
R	Default ▶
L	◀

Order Examples: **RADI-75-110-WR10-UG387/U-0.2WR-b**
I=ISOLATOR

Specifications	75-110	76-78	Room/ Op. Temp	Units
Frequency	75-110	76-78	87.5-90.5	GHz
Band Width	5%BW (3.75-5.5)	Full	Full (3.0)	GHz
Insertion loss	0.5	0.4	0.5/0.6	dB (maximum)
Isolation	20	20	20/18	dB (minimum)
VSWR	1.25:1	1.25:1	1.25:1 / 1.30:1	
Waveguide Flange	UG387/U	UG387/U	UG387/U-M	
Rated power Forward	10	1	10	Watts Peak
	0.2	1	0.2	Watts Avg.
Rated power Reverse	10	1	10	Watts Peak
	0.2	1	0.2	Watts Avg.
Op. Temp.	0 to 50	-10 to +60	-10 to 60	°C
Non Op. Temp.	-55 to 80		-55 to 80	°C
Vibration	3G @ +50 °C		NA	5 to 500 Hz sinewave
Shock (6 ms)	6G op., 15G non op.		NA	5 to 500 Hz sinewave
Humidity at 50 °C	95% op, / 60% non op.		NA	
Dimensions	12x25.4x22.4	12.7x25x22	12x25.4x22.4	mm

Waveguide Isolator, WR10, 75-110GHz, Full or Part Bands UG387/U Flange, 0.2-2Watt Reverse Power

Specifications				Units
Frequency	86 to 92	88-90	89 to 97	GHz
Band Width	Full (4)	Full (2.0)	Full (8)	GHz
Insertion loss	0.5	0.4	1.5	dB (minimum)
Isolation	20 dB	23	12 dB	dB (maximum)
VSWR	1.25:1	1.25:1	1.7:1	
Interface	WR-10, UG387/U	UG387/U	WR-10, UG387/U	
Rated power Forward	10	10	10	Watts Peak
	0.2	0.2	0.2	Watts Avg.
Rated power Reverse	10	10	10	Watts Peak
	0.2	2	0.2	Watts Avg.
Op. Temp.	-40 to 50	0 to 50	0 to 50	°C
Non Op. Temp.	-55 to 80	-55 to 80	-55 to 80	°C
Vibration	3G @ +50 °C	3G @ +50 °C	3G @ +50 °C	5 to 500 Hz sinewave
Shock (6 ms)	6G 6msec op, 15G non op.	6G op., 15G non op.	6G 6msec op, 15G non op.	5 to 500 Hz sinewave
Humidity at 50 °C	95% op, 60% non op.	95% op, 60% non op.	95% op, 60% non op.	
Dimensions	12x25.4x22.4	12x25.4x22.4	12x25.4x22.4	mm

Specifications				Units
Frequency	94 to 96	98-102		GHz
Band Width	Full (2)	Full (4)		GHz
Insertion loss	0.5	0.5		dB (minimum)
Isolation	20 dB	20		dB (maximum)
VSWR	1.25:1	1.30:1		
Interface	WR-10, UG387/U	WR-10, UG387/U		
Rated power Forward	10	10		Watts Peak
	0.2	0.5		Watts Avg.
Rated power Reverse	10	10		Watts Peak
	0.2	0.5		Watts Avg.
Op. Temp.	-40 to 50	0 to 50		°C
Non Op. Temp.	-55 to 80	-55 to 80		°C
Vibration	3G @ +50 °C	3G @ +50 °C		5 to 500 Hz sinewave
Shock (6 ms)	6G 6msec op, 15G non op.	6G 6msec op, 15G non op.		5 to 500 Hz sinewave
Humidity at 50 °C	95% op, 60% non op.	95% op, 60% non op.		
Dimensions	12x25.4x22.4	12x25.4x22.4		mm

Waveguide Isolator, WR10, 75-110GHz, Full or Part Bands UG387/U Flange, 0.2-2Watt Reverse Power

