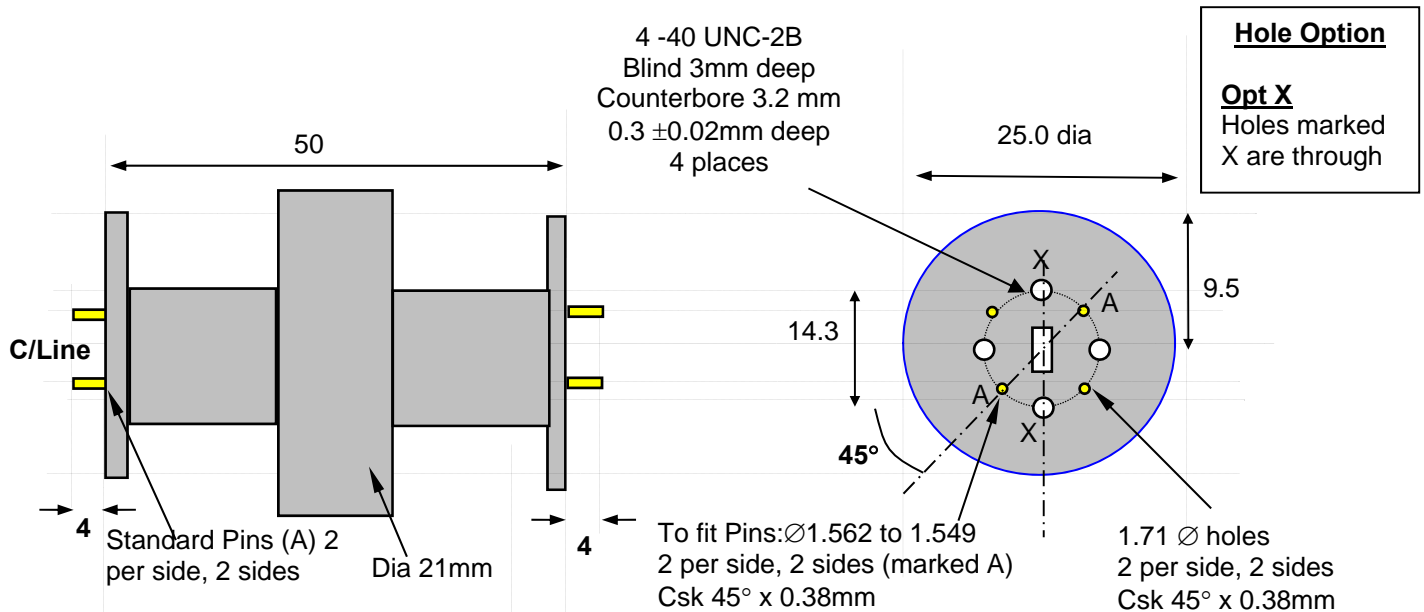


Waveguide Isolator, 90-140 GHz, Full or Part Bandwidth WR8 Package UG387/U Flange, 0.5 Watt



Units: mm.
Tolerance: ±0.2 unless otherwise stated.
Material: Silver plated brass.

Direction of RF:	
R	Default ▶
L	◀

Order Examples: **RADI-90-140-WR8-UG387/U-0.5WR**
I=ISOLATOR

Specifications:

Frequency MHz	Insertion loss dB (max)	Isolation dB (min)	VSWR	Reverse Power Watts	Forward Power Watts	Operating Temp °C	Interface
90-140	3.0	25	1.5:1	0.5	0.5	0 to +50	WR8 UG387/U
114-126	3.0	25	1.5:1	0.5	0.5	0 to +50	WR8 UG387/U